



**LH - SERIES  
DEWATERING PUMP**

**SPECIFICATIONS**

**■ FEATURES**

1. Semi-open, high chrome iron impeller with replaceable / adjustable high chrome Iron wear rings, increases wear resistance, when pumpage contains abrasive particles.
2. Double inside mechanical seals with silicon carbide faces, (both top and bottom) running in an oil filled chamber and further protected by a lip seal running against a replaceable, 430 stainless steel shaft sleeve, provides for the most durable seal design available.
3. Highly efficient, continuous duty air filled, copper wound motor with class B, F insulation minimizes the cost of operation.
4. Built in thermal & amperage sensing protector prevents motor failure due to

overloading or accidental run -dry conditions.

5. Double shielded, permanently lubricated, high temperature C3 ball bearings rated for a B-10 life of 60,000 hours, extend operational life.
6. Top discharge, flow-thru design enables operation at low water levels for extended periods.

**■ APPLICATIONS**

1. Commercial, industrial wastewater and construction site drainage.
2. Effluent transfer.
3. Decorative waterfalls and fountains.
4. Raw water supply from rivers or lakes.



**■ SPECIFICATIONS**

Discharge Size  
 Horsepower Range  
 Performance Range Capacity Head  
 Maximum water temperature  
 Materials of Construction  
     Casing  
     Impeller  
     Shaft  
     Motor Frame  
     Fasteners  
 Seal Pressure Relief Ports  
 Mechanical Seal  
     Elastomers  
 Impeller Type  
 Solids Handling Capability  
  
 Bearings  
  
 Motor Nomenclature  
     Type, Speed, Hz.  
     Voltage, Phase  
     Insulation  
  
 Accessories  
  
 Operational Mode

**■ STANDARD**

3" ~ 8" NPT (80 mm ~ 200 mm)  
 4 ~ 150 HP. (3 ~ 110 Kw)  
 26.4 ~ 1717.0 GPM. (0.1 ~ 6.5 m<sup>3</sup>/min)  
 20.5 ~ 604.0 Ft. (6.25 ~ 184.1m)  
 104° F. (40° C.)  
  
 Cast Iron , Ductile Cast Iron  
 High Chrome Cast Iron  
 420 Stainless Steel  
 Cast Iron  
 304 Stainless Steel  
 50 - 150HP (37 - 110 kW)  
 Silicon Carbide  
 NBR (Nitrile Butadiene Rubber)  
 Semi-open, solids handling.  
 0.236 - 0.787" (6 - 20mm)  
  
 Prelubricated, Double Shielded  
  
 Air Filled, 3600 RPM, 60 Hz.  
 208/230/460/575 V., 3 Phase.  
 Class B , F  
  
 Submersible Power Cable  
 50 - 65' (15 - 20m)  
  
 Manual

**■ OPTIONS**

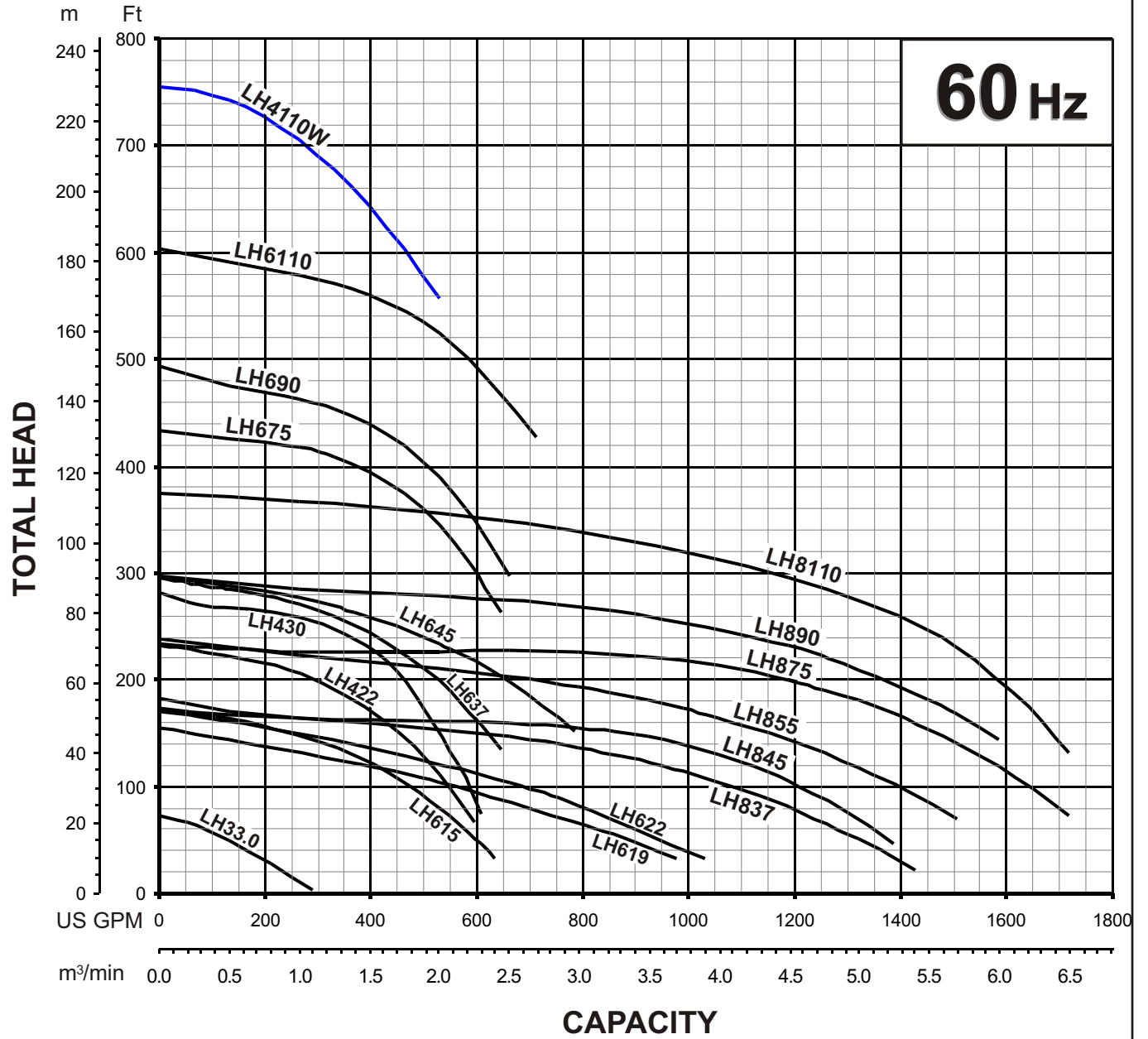
Length as Required.  
  
 TS-303 Float Switch



# LH - SERIES DEWATERING PUMP

## PERFORMANCE RANGE

### GROUP PERFORMANCE RANGE

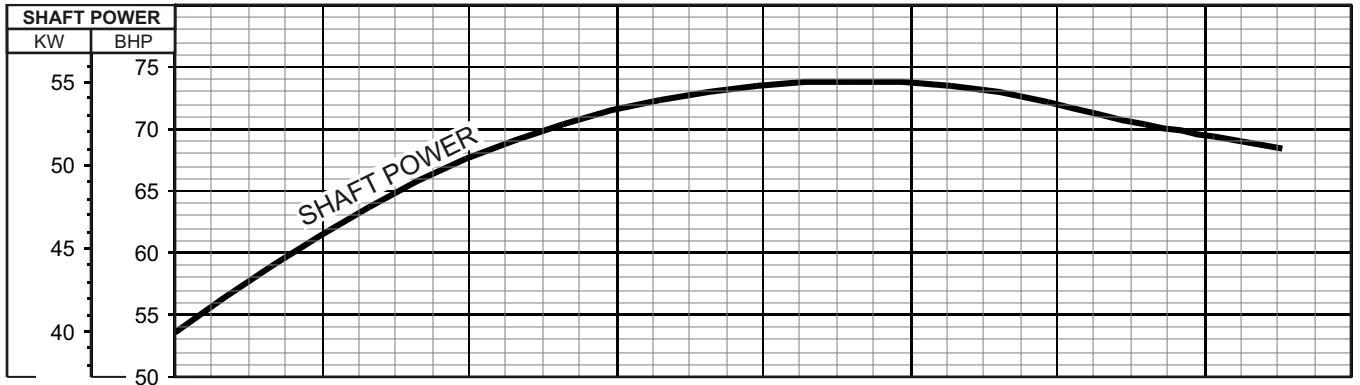
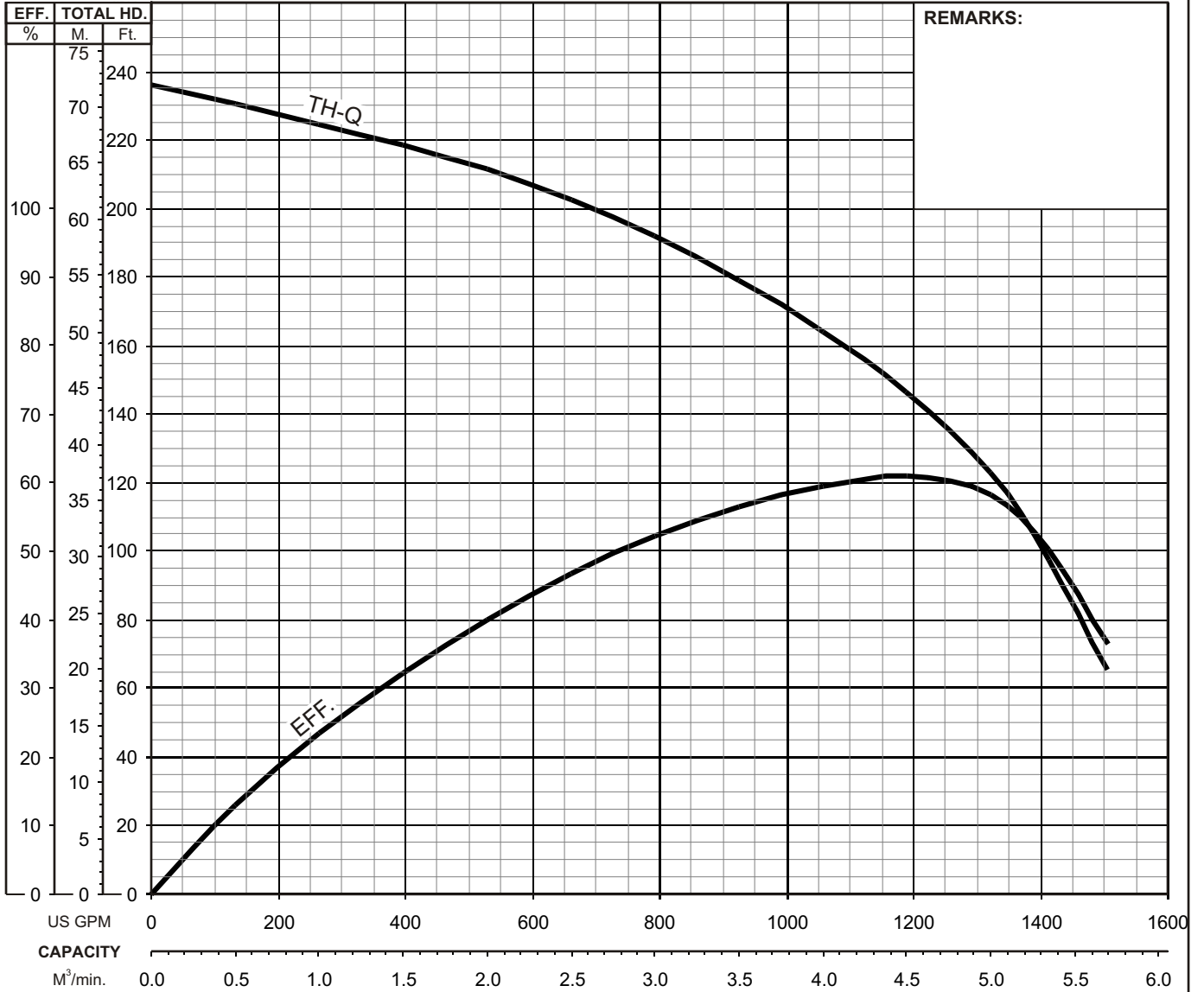




# LH - SERIES DEWATERING PUMPS

# PERFORMANCE CURVE

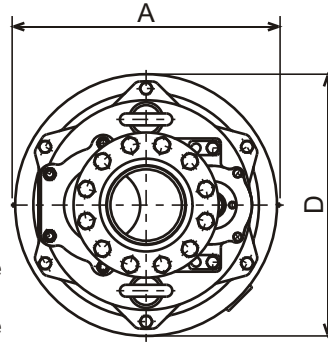
MODEL	BORE	HP	KW	RPM	SOLIDS DIA	LIQUID	SG.	VISCOSITY	TEMP.
LH855-61	8"/200mm	75	55	3530	0.787"/20mm	Water	1.0	1.123 cSt.	60°F
PUMP TYPE	PHASE	VOLTAGE	AMPERAGE	HZ	STARTING METHOD	INS. CLASS			
Dewatering Pump	3	460 / 575	87 / 70	60	Star-Delta	F			
CURVE No.	DATE	PHASE	VOLTAGE	AMPERAGE	HZ	STARTING METHOD	INS. CLASS		
-	-	-	-	-	-	-	-		





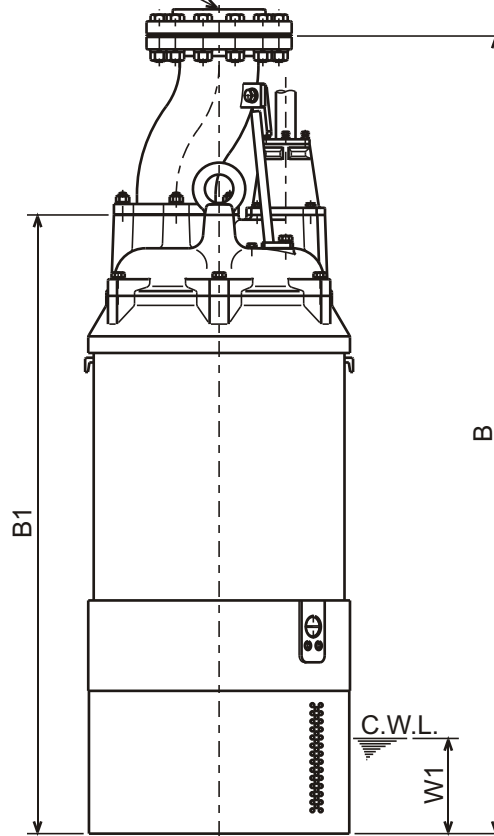
**LH - SERIES  
DEWATERING PUMPS**

**DIMENSIONS**



8" JIS10K (150PSI) Flange  
for LH855/875  
6" JIS20K (300PSI) Flange  
for LH675  
with 6" or 8" NPT Companion Flange

**LH855-61  
LH675-61  
LH875-61**



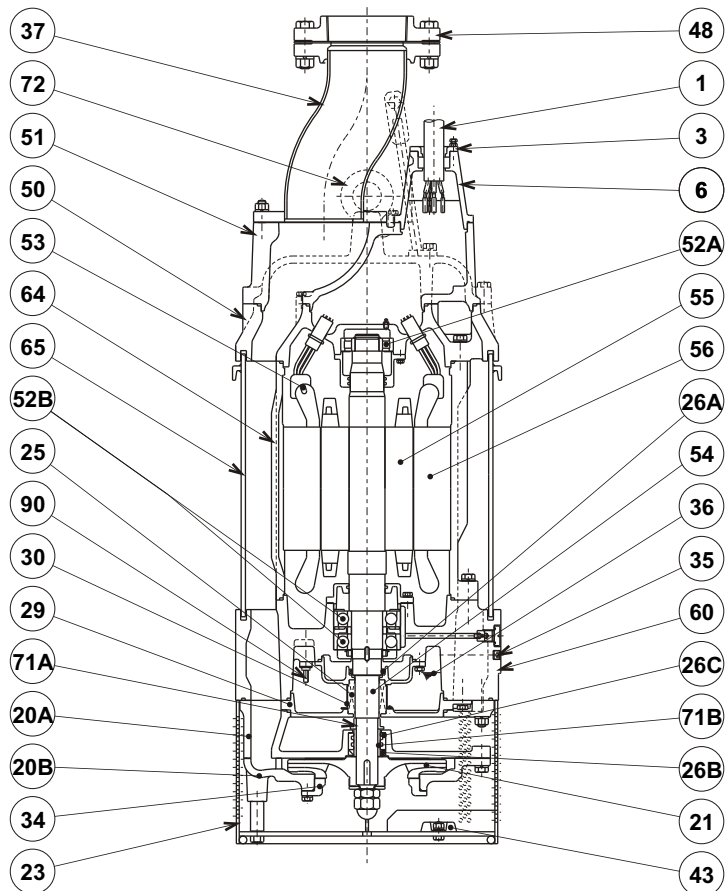
C.W.L. : Continuous running Water Level

**DIMENSIONS:USCS (Inch)**

Model	HP	NOM. SIZE	Pump & Motor				C.W.L.	Wt. (lbs.)
			A	B	B1	D	W1	
LH855-61	75	8"	22 3/16	67 9/16	51 3/16	21 5/8	7 7/8	1810
LH675-61	100	6"	22 3/16	66	51 3/16	21 5/8	7 7/8	1910
LH875-61	100	8"	22 3/16	67 9/16	51 3/16	21 5/8	7 7/8	1910

**DIMENSIONS:METRIC (mm)**

Model	kW	NOM. SIZE	Pump & Motor				C.W.L.	Wt. (kg)
			A	B	B1	D	W1	
LH855-61	55	200	563	1716	1300	550	200	820
LH675-61	75	150	563	1676	1300	550	200	865
LH875-61	75	200	563	1716	1300	550	200	865



LH855-61  
LH675-61  
LH875-61

ITEM#	DESCRIPTION	MAIN MATERIAL / NOTE	RELATED ASTM, A ISI CODE	RELATED EN CODE	Q'TY
1	Power Cable	Chloroprene Sheath AWG 2/6, 4/1, 14/3 -50ft			1
3	Gland	Cast Iron	A48M Class30B	EN1561 GJL-200	1
6	Stuffing Box	Cast Iron	A48M Class30B	EN1561 GJL-200	1
20A	Upper Pump Casing	Cast Iron	A48M Class30B	EN1561 GJL-200	1
20B	Lower Pump Casing	Cast Iron	A48M Class30B	EN1561 GJL-200	1
21	Impeller	High Chrome Cast Iron	A532 Class III Type A	DN 1695 G-X260Q27	1
23	Suction Strainer	Steel	A283 Grade D	EN10025 S275	1
25	Mechanical Seal	Silicon Carbide / H-50T			1
26A	Oil Seal	Nitrile Butadiene Rubber / TC-60759			1
26B	Oil Seal	Nitrile Butadiene Rubber / TCN-557812			1
26C	Labyrinth Ring	Stainless Steel	S 30400	1.4301	1
29	Oil Casing	Cast Iron	A48M Class30B	EN1561 GJL-200	1
30	Oil Lifter	Steel (Cold Rolled)	A109/A 1008	EN10130	1
34	Suction Mouth	High Chrome Cast Iron	A532 Class III Type A	DN 1695 G-X260Q27	1
35	Oil Plug	Stainless Steel	S 30400	1.4301	2
36	Lubricant	Turbine Oil ISO VG32 or SAE10W-20			
37	Flanged Discharge Pipe	Steel Pipe + Steel / 6" JIS20K or 8" JIS10K	A53 Type F + A283 Grade D	DN 1615 St 3 + EN 10025 S275	1
43	Cathodic Protection Plate	Aluminium Alloy			3
48	Companion Flange	Cast Iron / NPT 6" or 8"	A48M Class30B	EN1561 GJL-200	1
50	Motor Bracket	Cast Iron	A48M Class35B	EN1561 GJL-250	1
51	Motor Head Cover	Cast Iron	A48M Class30B	EN1561 GJL-200	1
52A	Upper Bearing	#NU810C3			1
52B	Lower Bearing	#7313ADBC3 w/ Spacer			1
53	Motor Protector				3
54	Shaft	Stainless Steel	S 42000	1.4028	1
55	Rotor				1
56	Stator				1
60	Bearing Housing	Cast Iron	A48M Class35B	EN1561 GJL-250	1
64	Motor Housing	Cast Iron	A48M Class35B	EN1561 GJL-250	1
65	Outer Cover	Steel	A283 Grade D	EN10025 S275	1
71A	Shaft Sleeve (Upper)	Stainless Steel	S 40300	1.4	1
71B	Shaft Sleeve (Lower)	Stainless Steel	S 40300	1.4	1
72	Lifting Lug Bolt	Steel	A283 Grade D	EN10025 S275	2
90	Leakage Sensor Electrode	Stainless Steel	S 42000	1.4028	1


**TSURUMI PUMP**
**LH - SERIES  
DEWATERING PUMPS**
**SAMPLE  
SPECIFICATIONS**
**1. SCOPE OF SUPPLY -**

Furnish and install TSURUMI Model \_\_\_\_\_ Submersible Pump(s).  
Each unit shall be capable of delivering \_\_\_\_\_ GPM (\_\_\_\_\_ m<sup>3</sup>/min) at \_\_\_\_\_ Feet (\_\_\_\_\_ m) TDH. The pump(s) shall be designed to pump waste water or effluent without damage during operation. The pump(s) shall be designed so that the shaft power required (BHP)/(kW) shall not exceed the motor rated output throughout the entire operating range of the pump performance curve. Pump(s) shall be of the top discharge, flow through design.

**2. MATERIALS OF CONSTRUCTION -**

Construction of major parts of the pumping unit(s) shall be gray cast iron, ASTMA48 CLASS 35. Impellers and field adjustable/replaceable wear plates shall be high chrome iron. Internal and external surfaces coming into contact with the pumpage shall be protected by a fused polymer coating. All exposed fasteners shall be stainless steel. All units up to 75 HP and LH875/890/8110 shall be furnished with 150 lb. (10 kg/cm<sup>2</sup>) flat face flange and NPT companion flange. LH675/690/6110 shall be furnished with 300 lb. (20 kg/cm<sup>2</sup>) flat face flange and NPT companion flange. Impellers shall be of the multi-vane enclosed solids handling design equipped with back pump out vanes and shall be slip fit to the shaft and key driven. The unit(s) shall include built in cathodic protection.

**3. MECHANICAL SEAL -**

All units shall be furnished with a dual inside mechanical shaft seal located completely out of the pumpage, running in a separate oil filled chamber and further protected by an exclusionary oil seal located between the bottom seal faces and the fluid being pumped. The oil chamber shall be fitted with a device that shall provide positive lubrication of the top mechanical seal, (down to one third of the standard oil level). The device shall not consume any additional electrical power. Mechanical seals shall be rated to preclude the incursion of water up to 42.6 PSI (98.4 Ft.) submergence. Units shall have silicon carbide mechanical seal faces. Mechanical seal hardware shall be stainless steel. Unit(s) shall incorporate seal pressure relief ports. Units 75 Hp and above shall be supplied with electrode type seal sensor. All unit(s) shall be fitted with a replaceable shaft sleeve.

**4. MOTOR-**

The pump motor(s) shall be \_\_\_\_\_ H P., \_\_\_\_\_ kW., \_\_\_\_\_ V., 60 Hz. 3 Phase and shall be NEMA MG-1, Design Type B equivalent. Motor(s) shall be rated at full load amps. Motor(s) shall have a 1.15 service factor and shall be rated for 20 starts per hour. Motor(s) shall be air filled, copper wound, class F or B (up to 30 HP) insulated with built in thermal protection for each winding. Motor shaft shall be 420 stainless steel and shall be supported by two high temperature bearings, with a B-10 life rating at best efficiency point of 60,000 hours. On units up to 60 HP, the bottom bearing shall be two row, double shielded, C3, deep groove type ball bearing, and the top bearing shall be single row, double shielded, C3, deep groove type ball bearing. On units 75 HP and above, the bottom bearing shall be re-greasable, two row, C3, angular contact type ball bearing, and the top bearing shall be re-greasable, single row, C3, cylindrical roller bearing. Motors shall be D.O.L. or star-delta start (40 HP and above), and shall be suitable for across the line start or variable speed applications, utilizing a properly sized variable frequency drive.

**5. POWER CABLE AND CABLE ENTRANCE -**

The pump power cable shall be suitable for submersible pump applications and shall be field replaceable utilizing standard submersible pump cable. The cable entrance shall incorporate built in strain relief and a combination three way mechanical compression sealing. The cable entrance assembly shall contain a anti-wicking block to eliminate water incursion into the motor due to capillary wicking should the power cable be accidentally damaged.