

PARTS LIST		HI VOLUME DEWATERING PUMP			1/27/2023	
ITEM	PART No.	DESCRIPTION	QTY	SIZE	MATERIAL	NOTES
1	001-519-39	Cabletyre Cable Set (50') 60Hz(USA)	1	2PNCTF4Cx14mm2	KR-3	interchangeable w/ 001-329-27
2	010-128-19	Cable Clip Rubber	1	75x80x2t	NBR	
3	010-101-16	Cable Clip	2	No.3	SPC	
4	140-035-14	Hex.Bolt	3	M6x20	SUS304	
5	141-004-17	Hex.Nut	3	M6	SUS304	
6	011-101-19	Shackle	2	6mm	SS	
7	095-000-95	Chain	1	4mm(4L)	SS	replaces OLD# 095-131-18 (3L)
8	140-035-14	Hex.Bolt	2	M6x20	SUS304	included in ITEM# 1 CABLE SET
9	070-107-18	Cable Clamp	1		FC	included in ITEM# 1 CABLE SET
10	140-055-10	Hex.Bolt	4	M8x25	SUS304	
11	006-127-15	Stuffing Box 60Hz(USA)	1	No.3	FC	included in ITEM# 1 CABLE SET
12	008-145-15	Mould Cover 60Hz(USA)	1	KR3-7	CR	included in ITEM# 1 CABLE SET
13	009-128-15	Terminal 60Hz(USA)	3	E (middle)	CU	included in ITEM# 1 CABLE SET
14	009-118-12	Terminal(C/W Screw) 60Hz(USA)	3	d12x(d8xd8)x25l	C3604	
15	002-115-18	Heat Shrink Tube (Sold per meter) 60Hz (USA)	m	EVA(d16.5x1t)	(V/m)	
16	002-116-19	Heat Shrink Tube (Sold per meter) 60Hz (USA)	m	A4(d20x0.35t)	(V/m)	
17	009-128-15	Terminal	3	E (middle)	CU	
18	009-107-18	Terminal	1	R-14-6	CU	included in ITEM# 1 CABLE SET
19	140-098-15	Hex.Bolt	6	M12x35	SUS304	
20	032-255-14	Hose Coupling 8" NPT	1	NPT-8(KRS)	FC	
	032-395-17	Hose Coupling 6" NPT (option)	1	NPT-6(KRS)	FC	6" NPT OPTION
21	121-144-18	Packing	1	KRZ8(P.C.236xd190)	NBR	*
22	140-102-13	Hex.Bolt	4	M12x55	SUS304	
23	142-165-10	Spring Washer	4	M12	SUS304	
24	070-000-65	L-Shape Fitting	1	KRS815-51/61	SS	
25	068-000-37	Handle	1	KRS815-51/61	SGPSS	
26	016-000-10	Handle Rubber	2			
27	143-000-76	Pan Screw (w/spring washer)	1	M6x10	SWRM	
28						
29	140-100-11	Hex.Bolt	3	M12x45	SUS304	
30	142-165-10	Spring Washer	3	M12	SUS304	
31	050-001-07	Motor Bracket	1		FC	
32	122-158-18	O-Ring	1	G-270(269.3xd5.7)	NBR	*
33	121-001-43	Packing (Water Way, Upp.)	1	KRS815-51/61	SBR	*
34	143-017-19	Pan Screw	2	M4x14	SWRM	
35	142-111-24	Plain Washer	2	M4(D=8)	SPC	
36		Motor Protector 208/230V-60Hz (USA)	1			
	053-401-12	Motor Protector 460V-60Hz (USA)	1	KA315-JEAL00 B,C		
37	016-000-04	Lead Wire Protection Bush	2	d21xd52x11t	SBR	

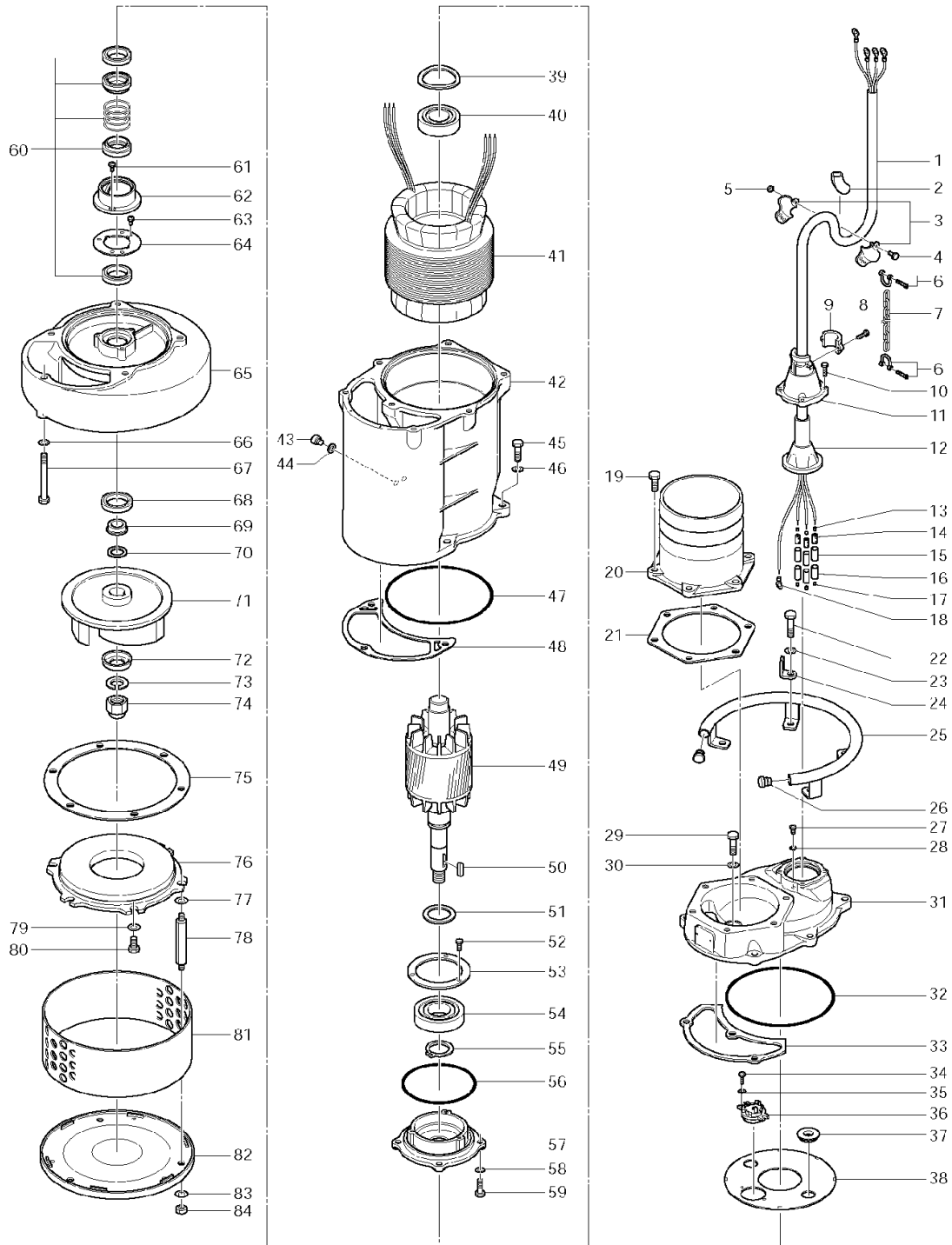
PARTS LIST		HI VOLUME DEWATERING PUMP			1/27/2023	
ITEM	PART No.	DESCRIPTION	QTY	SIZE	MATERIAL	NOTES
38	058-000-37	Lead Wire Protection Plate	1	d110xd270x1t	SPCC	
39	142-000-70	Wave Washer	1	d83xd99x0.9t	SK5	
40	052-112-10	Bearing	1	6309ZZC3		
41	056-012-69	Stator 208/230V-60Hz (USA)	1Set			used ONLY with 055-004-71 rotor and 064-002-03 motor frame
	056-012-71	Stator 460V-60Hz (USA)	1Set			used ONLY with 055-004-71 rotor and 064-002-03 motor frame
42	064-002-03	Motor Frame	1		FC	replaces OLD# 064-001-21
43	035-113-18	Oil Plug	2	M12x14	SUS304	
44	121-247-12	Packing	2	d12.3xd18x2t	PE	*
45	140-100-11	Hex.Bolt	4	M12x45	SUS304	
46	142-165-10	Spring Washer	4	M12	SUS304	
47	122-156-16	O-Ring	1	G-250(249.3xd5.7)	NBR	*
48	121-131-12	Packing (Water Way, Low.)	1	KRS-8L	NBR	*
49	055-004-71	Rotor	1Set			replaces OLD# 055-002-78
50	147-031-11	Impeller Key	1	10x8x45L	SUS420	
51	061-000-16	Slinger	1	d55xd75x3t	SPCC	
52	140-054-48	Hex.Bolt	3	M8x20	SWRM	
53	062-000-23	Bearing Fixing Plate	1	6312(d105xd155x4.5t)	SS	
54	052-131-15	Bearing	1	6311ZZC3		
55	146-031-18	Retaining Ring	1	C55	SK5	
56	122-145-12	O-Ring	1	G-170(169.3xd5.7)	NBR	*
57	060-001-73	Bearing Housing	1		FC	
58	142-164-35	Spring Washer	4	M10	SWRH	
59	140-076-33	Hex.Bolt	4	M10x30	SWRM	
60	025-000-61	Mechanical Seal	1	H-40X(E)	SiC	
61	143-070-23	Pan Screw	2	M5x6	SWRM	
62	030-141-10	Oil Lifter	1	H-40(T)	Resin	
63	143-070-10	Pan Screw	3	M5x6	SWRM	
64	030-149-18	Seal Stopper	1	H-40/45	SPCC	
65	020-414-16	Pump Casing	1	KRS-8L	FC	
66	142-165-10	Spring Washer	1	M12	SUS304	
67	140-116-10	Hex.Bolt	1	M12x140	SUS304	
68	026-111-18	Oil Seal	1	TC-456812	NBR	
69	071-131-30	Shaft Sleeve	1	KRS-8L	SUS403	
70	040-122-16	Impeller Shim		d35.2xd45.2x0.3t	SUS304	
71	021-569-23	Impeller (60Hz)	1	KRS815-61	FCD	
	021-569-36	Impeller (60Hz) HiCR	1	KRS815-61	HiCr	HiChrome Impeller Option
	021-568-22	Impeller (50Hz) OPTION	1	KRS815-51	FCD	50Hz OPTION
72	047-107-16	Impeller Thread Protect.Cover	1	No.6(33)	SPC	
73	142-171-19	Spring Washer	1	M30	SUS304	

PARTS LIST		HI VOLUME DEWATERING PUMP				1/27/2023
ITEM	PART No.	DESCRIPTION	QTY	SIZE	MATERIAL	NOTES
74	157-010-15	Impeller Nut	1	M30,P3.5(B=41,Hex.Cap Nut)	S35C	
75	120-105-14	Packing (S.Cover)		d291xd348x0.5t	PE	
76	022-380-21	Suction Cover	1	KRS-D6	FC	
77	142-129-12	Plain Washer	3	M12	SPC	
78	144-125-27	Stud Bolt	3	M12x182(20/30)	SUS403	
79	142-129-12	Plain Washer	3	M12	SUS304	
80	140-097-14	Hex.Bolt	3	M12x30	SUS304	
81	023-244-12	Strainer	1	KRS-8L	SUS304	
82	049-135-19	Bottom Plate	1	KRS-8L	FCMB	
83	142-129-12	Plain Washer	3	M12	SUS304	
84	141-007-10	Hex.Nut	3	M12	SUS304	
	173-003-16	Packing O-Ring Set	1Set	(Marked by *)		
21	121-144-18	Packing (Hose Coupling)	1	KRZ8(P.C.236xd190)	NBR	*
32	122-158-18	O-Ring (M.Bracket/M.Frame)	1	G-270(269.3xd5.7)	NBR	*
33	121-001-43	Packing (Water Way, Mid.)	1	KRS815-51/61	SBR	*
44	121-247-12	Packing (Oil Plug)	2	d12.3xd18x2t	PE	*
47	122-156-16	O-Ring (M.Frame/P.Casing)	1	G-250(249.3xd5.7)	NBR	*
48	121-131-12	Packing (Water Way, Low.)	1	KRS-8L	NBR	*
56	122-145-12	O-Ring (M.Frame/Brg.Housing)	1	G-170(169.3xd5.7)	NBR	*

PARTS LIST		HI VOLUME DEWATERING PUMP			1/27/2023	
ITEM	PART No.	DESCRIPTION	QTY	SIZE	MATERIAL	NOTES

EXPLODED VIEW

KRS815-5/61



C-01489-1