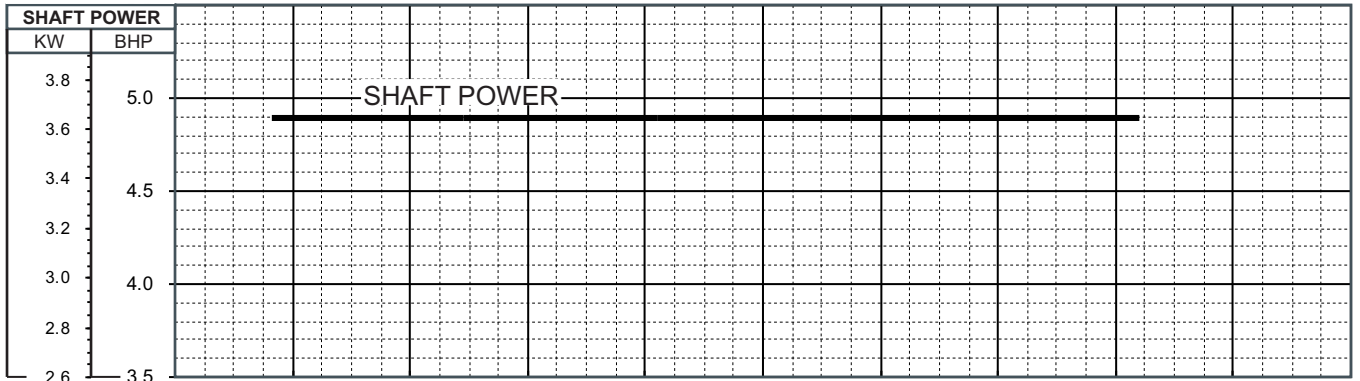
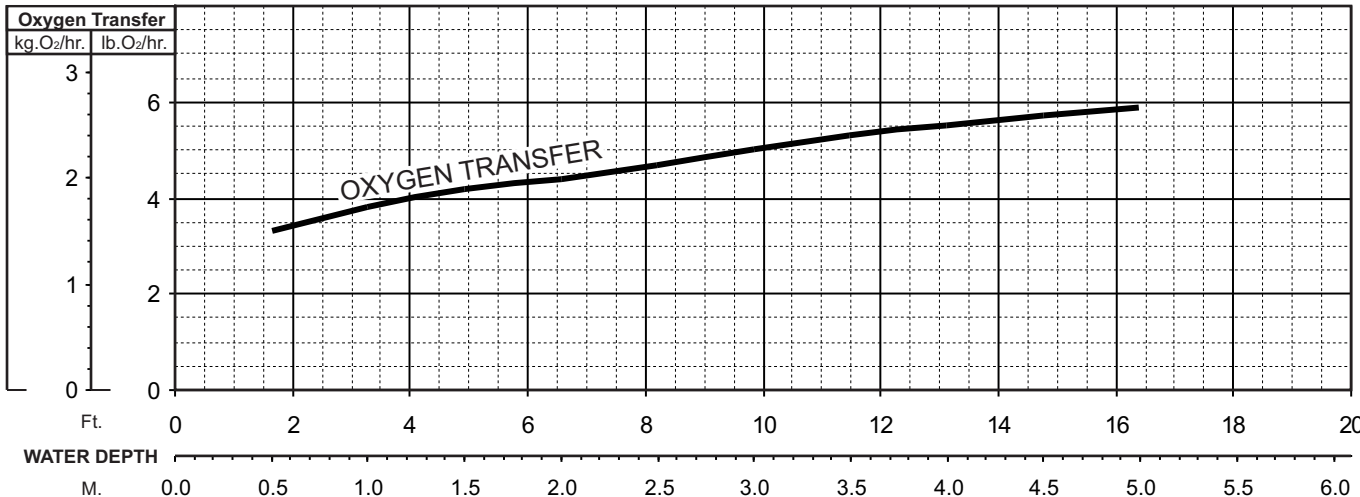
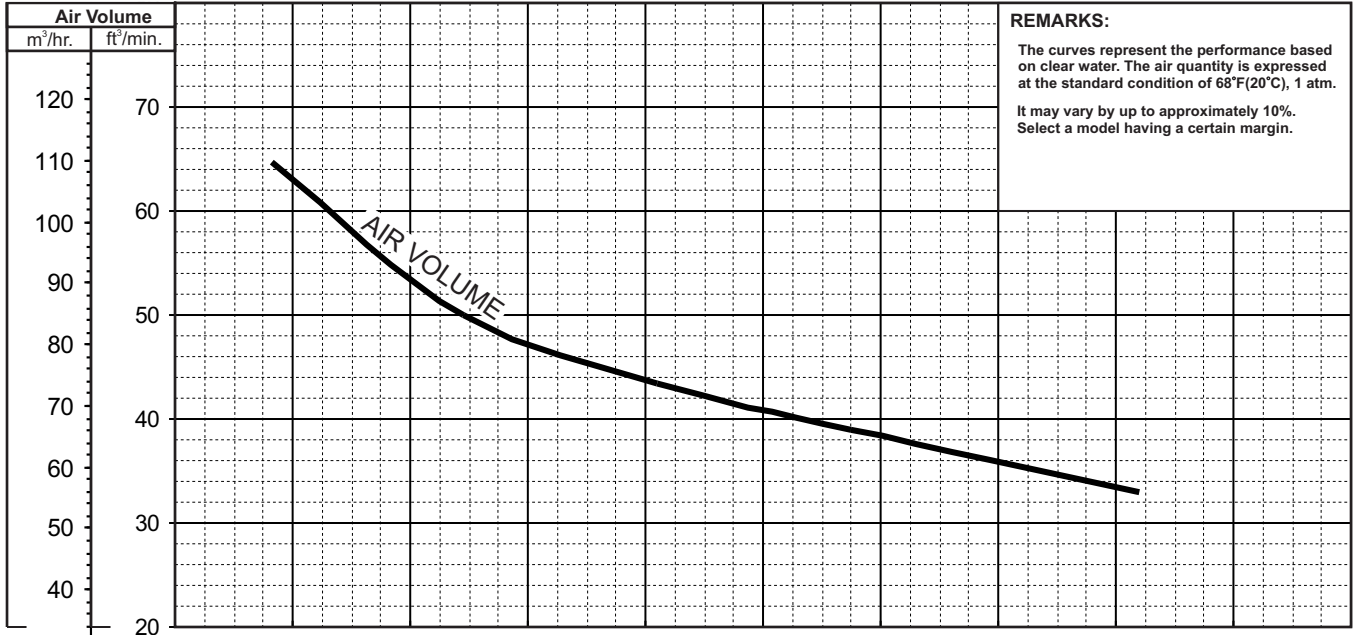




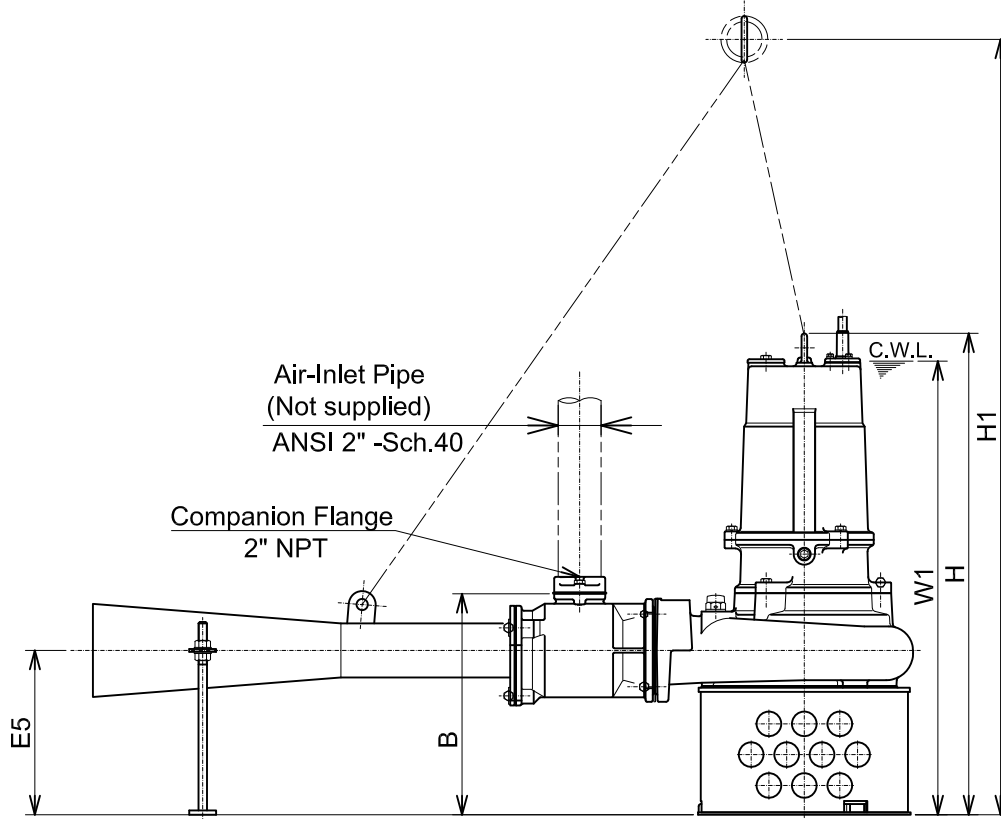
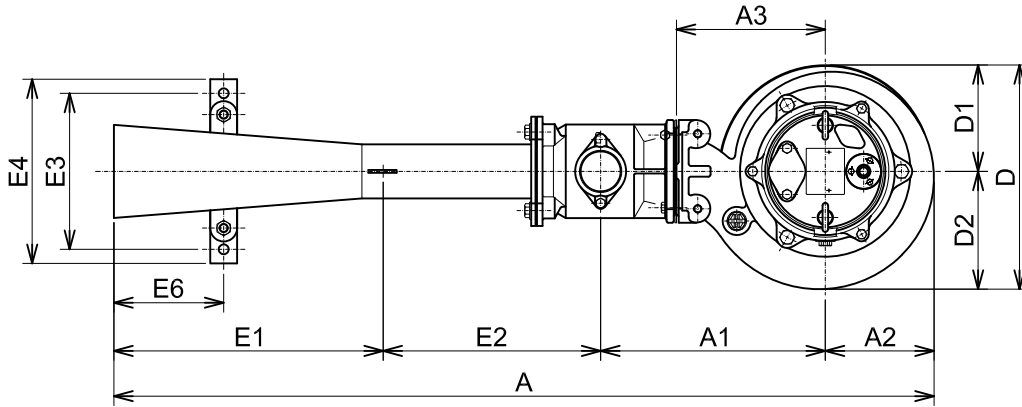
BER - SERIES SUBMERSIBLE - EJECTOR / AERATOR

PERFORMANCE CURVE

| MODEL | AIR INLET BORE | HP | KW | RPM | SOLIDS DIA | LIQUID | SG. | VISCOSITY | TEMP. |
|---|-----------------|-------|---------------|-----------------|-------------|-----------------|------------|------------|-------|
| (TOS-)37-BER5 | 2" / 50mm | 5 | 3.7 | 1690 | 1.378"/35mm | Water | 1.0 | 1.123 cSt. | 68°F |
| MIXING AREA | MAX. DEPTH | PHASE | VOLTAGE | AMPERAGE | HZ | STARTING METHOD | INS. CLASS | | |
| 388 ft ² / 36.0 m ² | 16.4 ft / 5.0 m | Three | 208-230 / 460 | 15.0-13.8 / 6.7 | 60 | Direct On Line | E | | |
| CURVE No. | DATE | PHASE | VOLTAGE | AMPERAGE | HZ | STARTING METHOD | INS. CLASS | | |
| - | - | - | - | - | - | - | - | | |



22-BER5
37-BER5



C.W.L. : Continuous running Water Level

DIMENSIONS:USCS (Inch)

| Model | HP | Air-Inlet Dia. | Ejector Pump & Motor | | | | | | | | | | | | | | C.W.L. | *Wt. (lbs.) | | |
|---------|----|----------------|----------------------|--------|--------|-------|---------|----------|-------|--------|--------|---------|----------|---------|---------|--------|--------|-------------|--------|-----|
| | | | A | A1 | A2 | A3 | B | D | D1 | D2 | H | H1 | E1 | E2 | E3 | E4 | | | E5 | E6 |
| 22-BER5 | 3 | 2" | 45 9/16 | 12 1/2 | 6 1/16 | 8 1/4 | 12 5/16 | 12 7/16 | 5 7/8 | 6 9/16 | 26 3/4 | 43 1/16 | 14 15/16 | 12 1/16 | 8 11/16 | 10 1/4 | 9 1/8 | 6 1/8 | 25 1/4 | 165 |
| 37-BER5 | 5 | 2" | 45 13/16 | 12 1/2 | 6 1/4 | 8 1/4 | 12 1/2 | 12 13/16 | 5 7/8 | 6 7/8 | 29 5/8 | 45 1/16 | 14 15/16 | 12 1/16 | 8 11/16 | 10 1/4 | 9 5/16 | 6 1/8 | 28 | 201 |

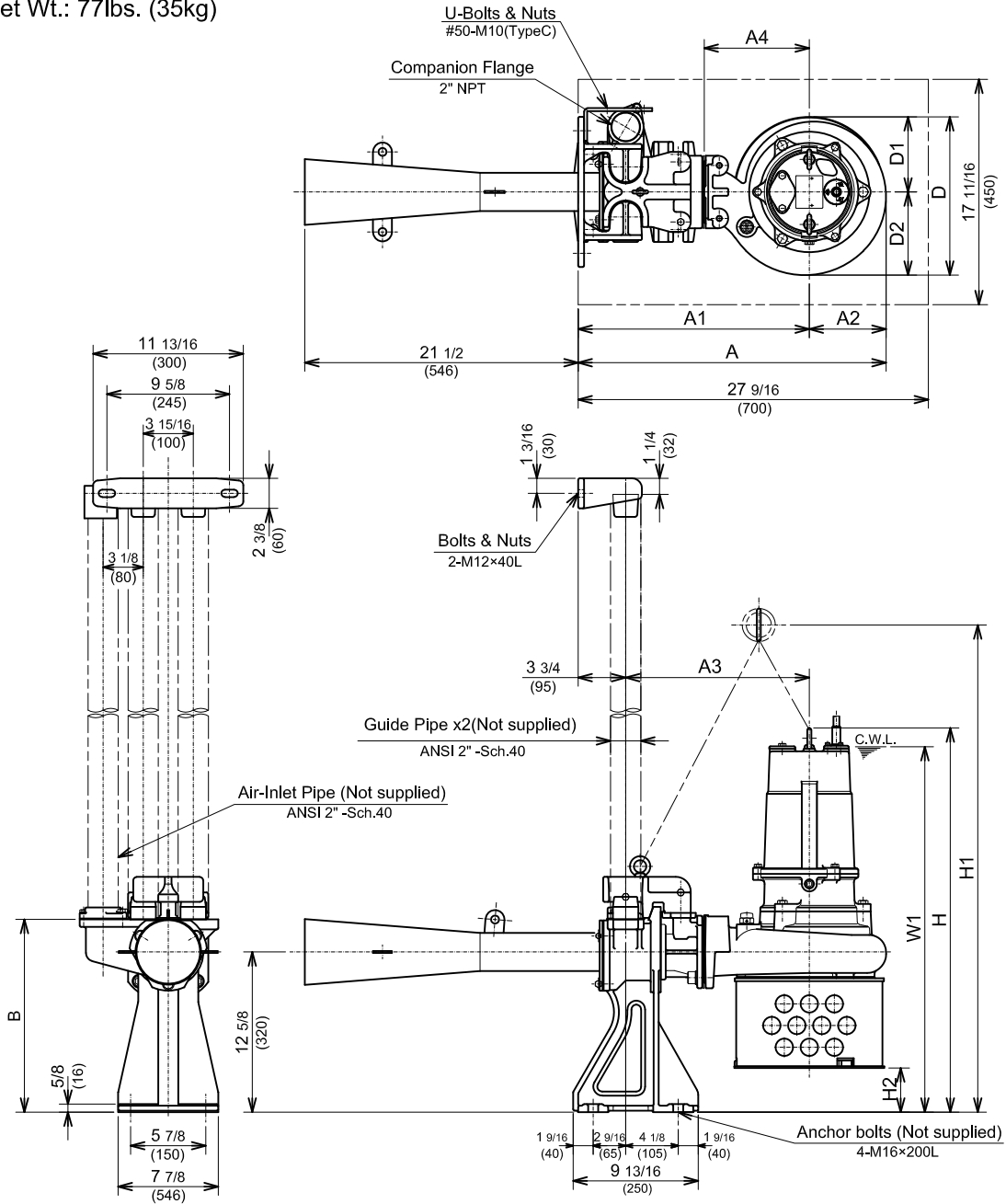
*Excluding Cable

DIMENSIONS:METRIC (mm)

| Model | kW | Air-Inlet Dia. | Ejector Pump & Motor | | | | | | | | | | | | | | C.W.L. | *Wt. (kg) | | |
|---------|-----|----------------|----------------------|-----|-----|-----|-----|-----|-----|-----|-----|------|-----|-----|-----|-----|--------|-----------|-----|----|
| | | | A | A1 | A2 | A3 | B | D | D1 | D2 | H | H1 | E1 | E2 | E3 | E4 | | | E5 | E6 |
| 22-BER5 | 2.2 | 50 | 1158 | 317 | 154 | 210 | 312 | 316 | 150 | 166 | 679 | 1094 | 380 | 307 | 220 | 260 | 232 | 155 | 640 | 75 |
| 37-BER5 | 3.7 | 50 | 1163 | 317 | 159 | 210 | 317 | 325 | 150 | 175 | 753 | 1145 | 380 | 307 | 220 | 260 | 237 | 155 | 710 | 91 |

Guide Rail Ejector set
Model: TOS-EJECTOR 22/37 NPT
Ejector set Wt.: 77lbs. (35kg)

TOS-22BER5
TOS-37BER5



C.W.L. : Continuous running Water Level

DIMENSIONS:USCS (Inch)

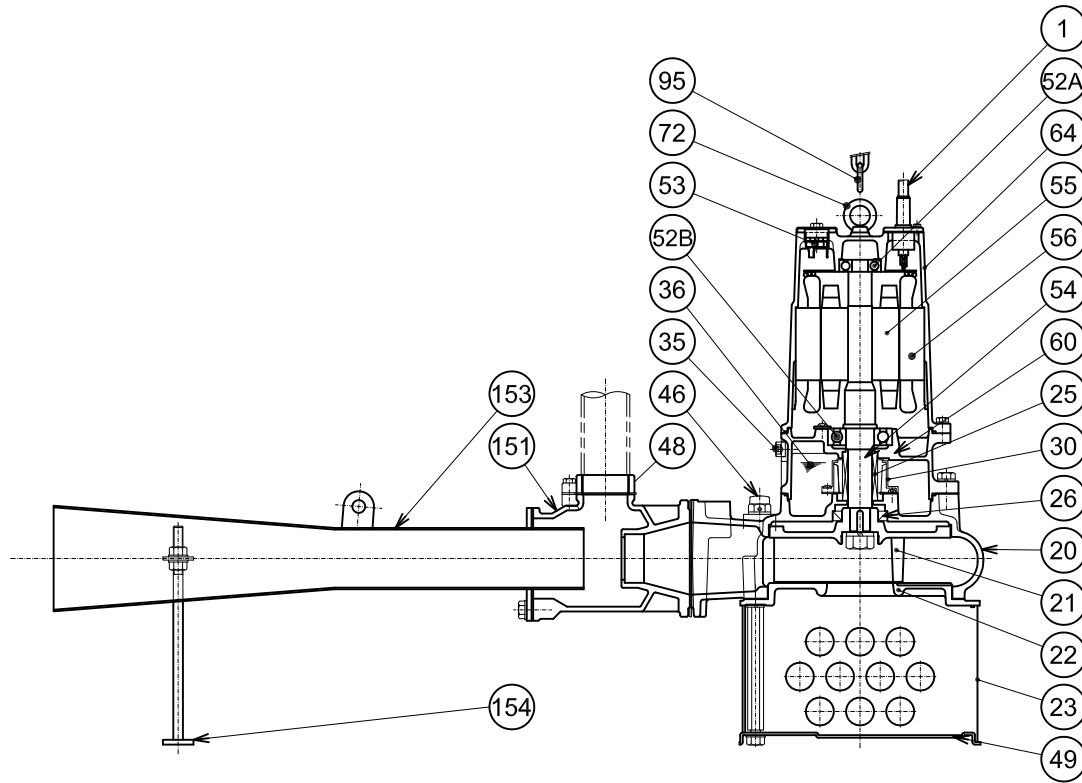
| Model | HP | Air-Inlet Dia. | Ejector Pump & Motor | | | | | | | | | | | C.W.L. W1 | *Wt. (lbs.) | |
|------------|----|----------------|----------------------|---------|--------|---------|-------|---------|----------|-------|--------|----------|---------|-----------|-------------|-----|
| | | | A | A1 | A2 | A3 | A4 | B | D | D1 | D2 | H | H1 | | | H2 |
| TOS-22BER5 | 3 | 2" | 24 1/4 | 18 3/16 | 6 1/16 | 14 7/16 | 8 1/4 | 15 3/16 | 12 7/16 | 5 7/8 | 6 9/16 | 30 3/16 | 38 5/16 | 3 7/16 | 28 3/4 | 134 |
| TOS-37BER5 | 5 | 2" | 24 7/16 | 18 3/16 | 6 1/4 | 14 7/16 | 8 1/4 | 15 3/16 | 12 13/16 | 5 7/8 | 6 7/8 | 32 15/16 | 41 1/4 | 3 1/4 | 31 1/4 | 170 |

DIMENSIONS:METRIC (mm)

*Excluding Cable & Guide Rail System

| Model | kW | Air-Inlet Dia. | Ejector Pump & Motor | | | | | | | | | | | C.W.L. W1 | *Wt. (kg) | |
|------------|-----|----------------|----------------------|-----|-----|-----|-----|-----|-----|-----|-----|-----|------|-----------|-----------|----|
| | | | A | A1 | A2 | A3 | A4 | B | D | D1 | D2 | H | H1 | | | H2 |
| TOS-22BER5 | 2.2 | 50 | 616 | 462 | 154 | 367 | 210 | 385 | 316 | 150 | 166 | 767 | 973 | 88 | 730 | 61 |
| TOS-37BER5 | 3.7 | 50 | 621 | 462 | 159 | 367 | 210 | 385 | 325 | 150 | 175 | 836 | 1048 | 83 | 795 | 77 |

22-BER5
37-BER5



| | 22-BER5 | 37-BER5 |
|----|---------------|---------------|
| *1 | AWG14/4- 32ft | AWG12/4- 32ft |
| *2 | H-30A | H-35A |
| *3 | TC-456812 | TC-507212 |
| *4 | 6307ZC3 | 6309ZC3 |

| PART# | DESCRIPTION | MAIN MATERIAL / NOTE | RELATED ASTM, AISI CODE | RELATED EN CODE | QTY |
|-------|------------------|------------------------------------|-------------------------|-----------------|-----|
| 1 | Power Cable | PVC Sheath *1 | | | 1 |
| 20 | Pump Casing | Cast Iron | A48M Class30B | EN 1561 GJL-200 | 1 |
| 21 | Impeller | Cast Iron | A48M Class30B | EN 1561 GJL-200 | 1 |
| 22 | Suction Cover | Cast Iron | A48M Class30B | EN 1561 GJL-200 | 1 |
| 23 | Suction Strainer | Steel (Hot Rolled) | A1011 | EN 10111 | 1 |
| 25 | Mechanical Seal | Silicon Carbide *2 | | | 1 |
| 26 | Oil Seal | NBR *3 | | | 1 |
| 30 | Oil Lifter | PBT Plastic w/(GF+MD)40 | | | 1 |
| 35 | Oil Plug | Stainless Steel | S 30400 | 1.4301 | 1 |
| 36 | Lubricant | Turbine Oil ISO VG32 or SAE 10W-20 | | | |
| 46 | Air Valve | Nylon | | | 1 |
| 48 | Companion Flange | Cast Iron / NPT 2" | A48M Class30B | EN 1561 GJL-200 | 1 |
| 49 | Bottom Plate | Steel (Cold Rolled) | A109/A1008 | EN 10130 | 1 |
| 52A | Upper Bearing | 6304ZC3 | | | 1 |
| 52B | Lower Bearing | *4 | | | 1 |
| 53 | Motor Protector | | | | 1 |
| 54 | Shaft | Stainless Steel | S 42000 | 1.4028 | 1 |
| 55 | Rotor | | | | 1 |
| 56 | Stator | | | | 1 |
| 60 | Bearing Housing | Cast Iron | A48M Class25B | EN 1561 GJL-150 | 1 |
| 64 | Motor Housing | Cast Iron | A48M Class25B | EN 1561 GJL-150 | 1 |
| 72 | Lifting Lug Bolt | Stainless Steel | S 30400 | 1.4301 | 2 |
| 95 | Chain | Steel - 16ft | A283 Grade D | EN 10025 S275 | 1 |
| 151 | Suction Casing | Cast Iron | A48M Class30B | EN 1561 GJL-200 | 1 |
| 153 | Diffuser | Stainless Steel | S 30400 | 1.4301 | 1 |
| 154 | Diffuser | Stainless Steel | S 30400 | 1.4301 | 1 |