

PARTS LIST		SEWER & WASTEWATER PUMPS			11/30/2017	
ITEM	PART No.	DESCRIPTION	QTY	SIZE	MATERIAL	NOTES
1	001-285-17	Power Cable		4Cx14mm2 + 2Cx2mm2	2PNCT	
2	009-107-18	Terminal	4	R-14-6	CU	
3	009-116-10	Terminal	2	R-2-4	CU	
4	006-127-15	Stuffing Box	1	No.3	FC200	
5	070-107-18	Cable Clamp	1	No.2/No.3	FC150	
6	140-035-14	Hex.Bolt	2	M6x20	SUS304	
7	140-055-10	Hex.Bolt	4	M8x25	SUS304	
8	008-147-17	Rubber Boot	1	KR3-9	CR	
9	009-114-18	Connector	2	PC-4020M		
10	009-115-19	Connector	2	PC-4020F		
	002-164-12	Heat Shrink Tube (Sold per meter)	m	A4(d13.2x0.3t)	(/m)	for 9-10
11	140-078-19	Hex.Bolt	4	M10x35	SUS304	
12	009-128-15	Sleeve	3	E (M)	CU	
13	142-164-19	Spring Washer	4	M10	SUS304	
14	009-118-12	Terminal Splice	3	D12x(d8xd8)x25L, w/ Screws	BSBM	
	002-132-11	Heat Shrink Tube	m	A4(d17x0.27t)	(/m)	for 14, outside
	002-135-14	Heat Shrink Tube	m	A(d15x0.3t)	(/m)	for 14, inside
15	009-128-15	Sleeve	3	E (M)	CU	for motor lead wire
16	042-106-18	Stuffing Box Sheet	1	11KW	FC200	
17	122-135-19	O-Ring	1	G-120	NBR	*
18	143-041-12	Pan Screw	1	M6x8	SWRM3	
19	142-162-33	Spring Washer	1	M6	SWRH	
20	009-107-18	Terminal	1	R-14-6	CU	
21	072-107-14	Lifting Eye Bolt	3	M16	SS400	
22	016-122-11	Lead Wire Prot. Bush	1	d21xD25x34L	NBR	
23	140-099-16	Hex.Bolt	4	M12x40	SUS304	
24	142-165-10	Spring Washer	4	M12	SUS304	
25	050-374-16	Motor Bracket	1	150-15-4B	FC200	
26	122-252-13	O-Ring	1	270xd3.8	NBR	*
27	058-127-16	Lead Wire Prot. Plate	1	d110xD150x1t	SPC+NBR	
28	142-162-33	Spring Washer	2	M6	SWRH	
29	143-043-14	Pan Screw	2	M6x12	SWRM3	
30	142-200-18	Wave Washer	1	#6308	SK-5	
31	052-111-19	Ball Bearing (Upper)	1	6308ZZC3		
32	055-592-17	Rotor and Shaft	1	300-15-6B2		
33	147-034-14	Impeller Key	1	12x8x75L (R)	SUS420J2	
34	053-305-15	Motor Protector	3	9700K-01-215		
35	056-xxx-xx	Stator	1	300-15-6B2		
36	064-148-25	Motor Frame	1	150-BL	FC200	
37	122-253-14	O-Ring	1	245xd3.8	NBR	*
38	061-142-17	Bearing Collar	1	d50xD70x3t	SPC	
39	140-052-33	Hex.Bolt	4	M8x16	SWRM3	
40	062-158-19	Bearing Cover	1	d95xD144x4.5t	SPCC	
41	052-141-18	Ball Bearing (Lower)	1set	6310ZZD2C3		

PARTS LIST		SEWER & WASTEWATER PUMPS			11/30/2017	
ITEM	PART No.	DESCRIPTION	QTY	SIZE	MATERIAL	NOTES
42	142-243-13	Bearing Washer	1	AW10	SPCC	
43	141-075-19	Bearing Nut	1	AN10	SS400	
44	140-104-15	Hex.Bolt	4	M12x65	SUS304	
45	142-165-10	Spring Washer	4	M12	SUS304	
46	140-099-16	Hex.Bolt	4	M12x40	SUS304	
47	142-165-10	Spring Washer	4	M12	SUS304	
48	060-365-15	Bearing Housing	1	150-15-4B	FC200	
49	121-247-12	Packing	2	d12.3xD18x2t	PE	*
50	035-113-18	Oil Plug	2	M12x14	SUS304	
51	121-341-17	Seal Packing	4	d12xD21x4t	NBR	*
52	142-129-25	Plain Washer	4	M12	SPC	
53	140-101-38	Hex.Bolt	4	M12x50	SWRM3	
54	025-000-62	Mechanical Seal	1	H-45X	SiC	
55	143-070-23	Pan Screw	2	M5x6	SWRM3	
56	030-140-19	Oil Lifter	1	H-45	PBT+GF/MD40	
57	143-070-10	Pan Screw	3	M5x6	SWRM3	
58	030-149-18	Seal Stopper	1	H-40/45	SPCC	
59	122-160-13	O-Ring	1	G-290	NBR	*
60	029-271-16	Oil Casing	1	200/250-15-4B2	FC200	
61	122-160-13	O-Ring	1	G-290	NBR	*
62	020-001-52	Pump Casing	1	200-15-6C	FC200	
63	140-052-17	Hex.Bolt	2	M8x16	SUS304	
64	046-000-05	Air Release Valve	1	GSZ/NKZ/B	SPCC	
65	203-017-18	Ball	1	d28	NBR	
66	121-151-18	Packing	1	P.C.80xD50	CR	*
67	021-005-80	Impeller	1	200-15-6C-60Hz, D275	HiCrFC+TaC	
68	144-501-18	Socket Set Screw	2	M10x20	SUS304	
69	142-331-19	Impeller Washer	1	d18xD61x25t	SUS304	
72	140-321-10	Socket Bolt	1	M16x60	SUS304	
73	120-xxx-xx	Packing		d401xD430x0.3t	PE-sheet	
74	022-001-26	Suction Cover	1	200-15-6C	HiCrFC	
75	142-165-10	Spring Washer	8	M12	SUS304	
76	140-100-11	Hex.Bolt	8	M12x45	SUS304	
77	023-508-17	Strainer Stand	1	370-BH2	FCD550	
78	142-131-17	Plain Washer	4	M20	SUS304	
79	142-168-13	Spring Washer	4	M20	SUS304	
80	140-149-12	Hex.Bolt	4	M20x55	SUS304	
81	037-166-12	Discharge Bend	1	150x200mm	FC200	
82	140-127-14	Hex.Bolt	8	M16x55	SUS304	
83	142-166-11	Spring Washer	8	M16	SUS304	
87	121-165-15	Panking	1	JIS5K x 150mm	NBR	
	048-239-11	Welded Flange	1	JIS10K x 200mm	FC200	
	048-000-52	Screwed Flange	1	JIS10K x NPT-8"	FC200	
	121-109-24	Panking	1	JIS10K x 200mm	NR	

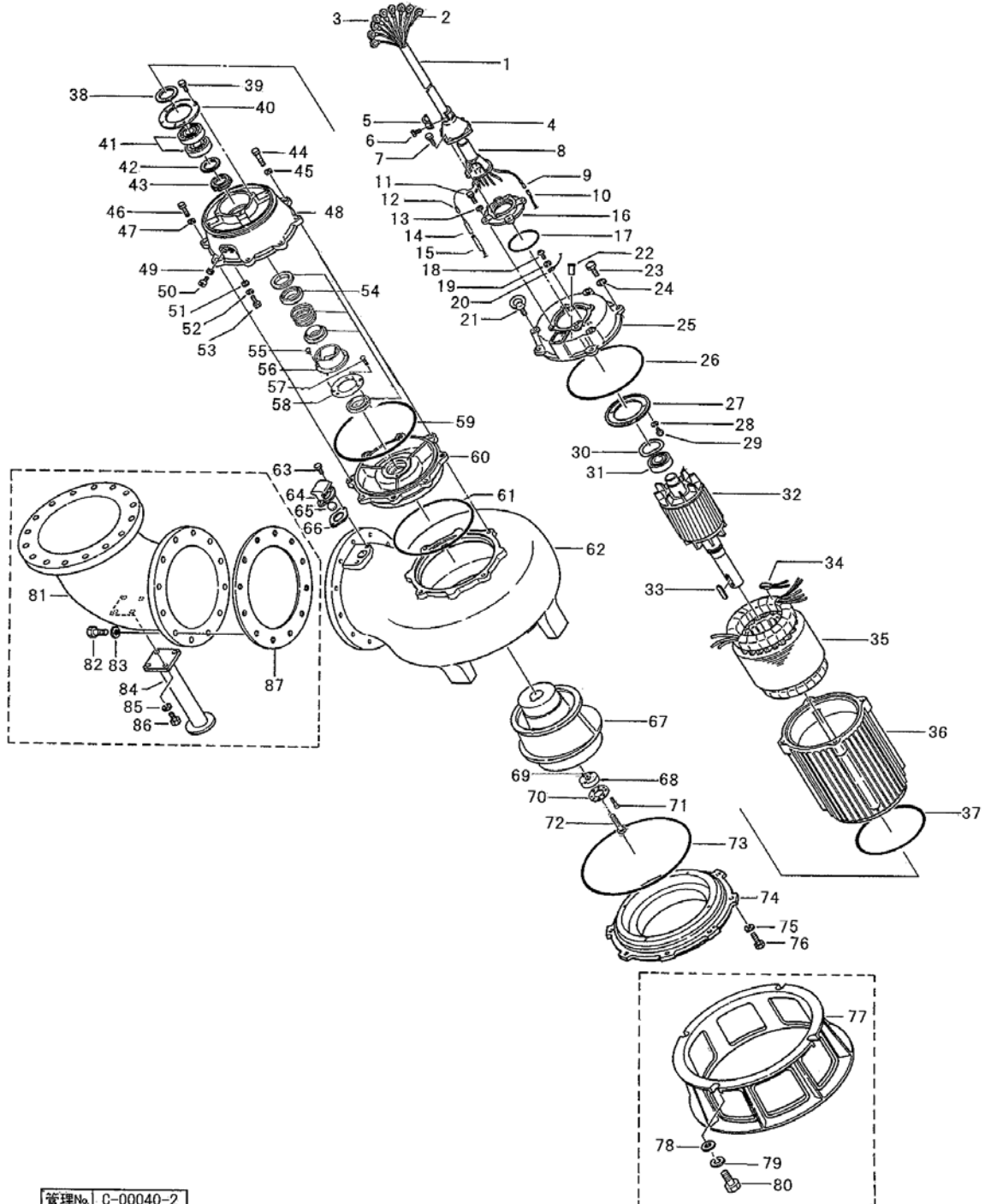
PARTS LIST		SEWER & WASTEWATER PUMPS			11/30/2017	
ITEM	PART No.	DESCRIPTION	QTY	SIZE	MATERIAL	NOTES
	140-155-24	Hex.Bolt	12	M20x85	SWRM3	
	141-009-12	Hex.Nut	12	M20	SUS304	
	142-168-26	Spring Washer	12	M20	SWRH	
		Packing O-Ring Set				
	173-451-12	Packing O-Ring Set	1set	(*)		
17	122-135-19	O-Ring	1	G-120	NBR	*
26	122-252-13	O-Ring	1	270xd3.8	NBR	*
37	122-253-14	O-Ring	1	245xd3.8	NBR	*
49	121-247-12	Packing	2	d12.3xD18x2t	PE-sheet	*
51	121-341-17	Seal Packing	4	d12xD21x4t	NBR	*
59	122-160-13	O-Ring	1	G-290	NBR	*
61	122-160-13	O-Ring	1	G-290	NBR	*
66	121-151-18	Packing	1	P.C.80xd50	CR	*
		Lubricant		Turbine Oil VG32 6,000ml		

Parts for guide rail fittings are shown in the following Control No.

TO-150x200

PARTS LIST		SEWER & WASTEWATER PUMPS				11/30/2017
ITEM	PART No.	DESCRIPTION	QTY	SIZE	MATERIAL	NOTES

EXPLODED VIEW 200C615-CR-61



管理No. C-00040-2