

PARTS LIST		SUBMERSIBLE PUMP				6/6/2024
ITEM	PART No.	DESCRIPTION	QTY	SIZE	MATERIAL	NOTES
1	143-146-18	Tapping Screw (w/Plain Washer)	2	M5x20	SUS304	
2	068-000-77	Handle	1	150WVANCS	Resin	
3	140-001-57	Hex.Bolt (w/O-Ring,Plain Washer)	4	M5x18(P-5,NBR)	SUS304	
4	051-000-87	Head Cover	1		Resin	
5	143-000-79	Pan Screw (w/Spring Washer)	1	M4x5	SWRM	
6	009-002-29	Earth Terminal	1Set	AWG18(UL1015)x150L		
7	181-000-10	Cable Tie	1	CV-100	Nylon	
8	076-000-66	Capacitor	1	28MF-220VAC(85)	(T)	
9	200-000-78	Tape	1	1.0t		
10	121-002-15	Packing	1	d99.4xd107.6x5.5t	NBR	*
11	050-001-37	Motor Bracket	1		ADC	
12	142-000-50	Wave Washer	1	BWW-629x0.3t,d24.8	SK5	
13	143-000-78	Pan Screw	4	M4x113L	SWRM	
14	052-000-46	Bearing	1	6000ZZC3(EP-1)		
15	055-004-43	Rotor	1Set	w/Bearing		
16	146-000-10	Retaining Ring	1	E type 18x9 T=0.8	SK5	
17	056-011-05	Stator(w/M.Frame) 115V-60Hz(USA)	1Set	w/Miniature Protector		
18	052-100-15	Bearing	1	6201ZZC3		
19	001-010-78	Cabletyre Cable Set (20') 115V-60Hz(USA)	1	STOW3Cx16AWG	PON-100	use in place of 001-011-14
20	143-000-33	Hex.Tapping Screw	2	M5x20	SUS304	
21	060-002-13	Bearing Housing	1		ADC	
22	025-000-77	Mechanical Seal	1	D-12RC(ROHS)	SSIC	
23	030-000-18	Oil Lifter	1	D-12B(White)	Resin	
24	121-002-16	Packing	1	32PN2.15S-53/63	NBR	*
25	020-003-82	Pump Casing (Upper)	1	32PRA2.13S-92	Resin	
26	121-246-11	Packing	1	d10.3xd16x2t	Polyethylene	*
27	035-127-15	Oil Plug	1	M10x15	SUS304	
28	121-002-18	Packing	1	PRAW Casing	NBR	*
29	143-000-26	Truss Screw (w/O-Ring)	4	M6x20(P-5,NBR)	SUS304	
30	142-390-16	Conical Spring Washer	1	d9.2xd18x0.7t	SUS304	
31	021-011-37	Impeller (60Hz)	1	OM5	Resin	
32	143-173-14	Truss Screw (w/Plain Washer)	1	M5x10	SUS304	
33	203-065-11	Valve	1	d17	Glass	
34	020-003-83	Pump Casing (Lower)	1	32PRA2.13S-92	Resin	
35	140-001-58	Hex.Bolt (w/Plain Washer)	2	M8x55(25L)	SUS304	
36	048-277-11	Screwed Flange	1	NPT1-1/2,P.C.90	Resin	
37	121-468-11	Packing	1	P.C.90xd45x2t	NR	*
38	141-121-11	Hex.Nut	2	M8(B=12)	SUS304	



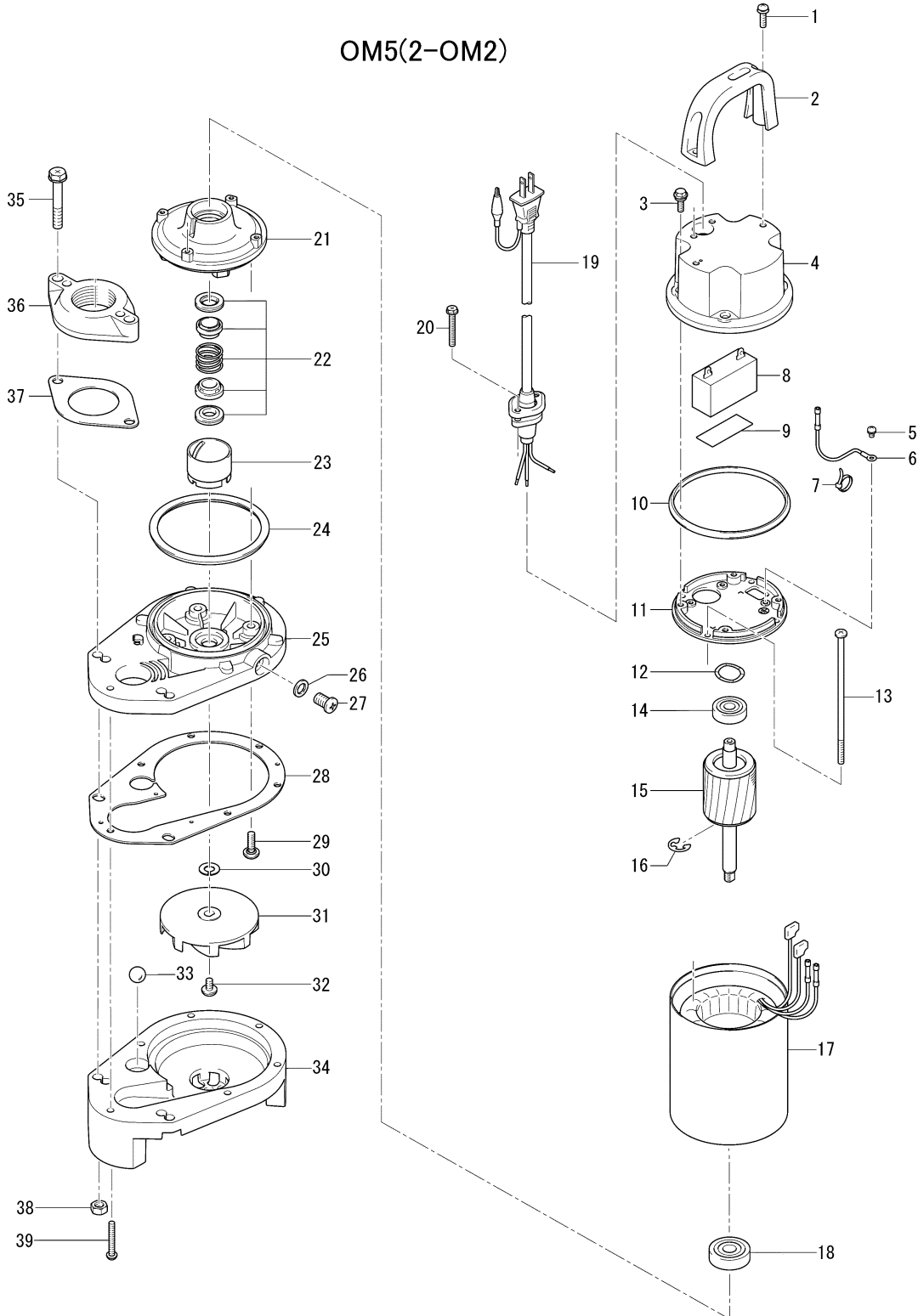
MODEL **OM5 (2-OM2)**

PARTS LIST		SUBMERSIBLE PUMP				6/6/2024
ITEM	PART No.	DESCRIPTION	QTY	SIZE	MATERIAL	NOTES
39	143-000-17	Tapping Pan Screw (w/Plain Washer)	6	M5x35	SUS304	
	173-004-08	<b>Packing O-Ring Set</b>	1Set	(Marked by *)		
8	122-003-17	O-Ring (Head Cover Fixing Bolt)	4	P-5(4.8xd1.9)	NBR	*
14	121-002-15	Packing (Head Cover/M.Frame)	1	d99.4xd107.6x5.5t	NBR	*
24	121-002-16	Packing (M.Frame/Upp. P.Casing)	1	32PN2.15S-53/63	NBR	*
26	121-246-11	Packing (Oil Plug)	1	d10.3xd16x2t	Polyethylene	*
28	121-002-18	Packing (Upp./Low. P.Casing)	1	PRAW Casing	NBR	*
29	122-003-17	O-Ring (P.Casing Fixing Screw)	4	P-5(4.8xd1.9)	NBR	*
38	121-468-11	Packing (Screwed Flange)	1	P.C.90xd45x2t	NR	*
		Lubricant		Lequid Paraffin VG32 135ml		

\* Indicates items included in set

PARTS LIST		SUBMERSIBLE PUMP			6/6/2024	
ITEM	PART No.	DESCRIPTION	QTY	SIZE	MATERIAL	NOTES

OM5(2-OM2)



C-001666-2