

PARTS LIST		SEWAGE & WASTEWATER PUMP			8/2/2019	
ITEM	PART No.	DESCRIPTION	QTY	SIZE	MATERIAL	NOTES
1	009-127-14	Terminal	4	R-1.25-4	CU	
2	140-427-17	Hex.Bolt (w/Plain Washer)	2	M5x15	SUS304	
3	003-190-10	Gland	1		SUS316	
4	001-006-56	Cabtyre Cable Set (32') 460V-60Hz(USA)	1	VCT4Cx1.25mm2	LBT	
5	009-104-15	Solderless Terminal	4	TMVB-1.25	CU	
6	009-107-18	Terminal	7	R-14-6	CU	**included in ITEM# 11 Cable Assy **included in ITEM# 13 Cable Assy
7	140-035-14	Hex.Bolt	4	M6x20	SUS304	**included in ITEM# 11 Cable Assy **included in ITEM# 13 Cable Assy
8	070-107-18	Cable Clamp	2		FC	**included in ITEM# 11 Cable Assy **included in ITEM# 13 Cable Assy
9	140-488-16	Hex.Bolt (w/Spring Washer)	8	M8x30	SUS304	
10	006-127-15	Stuffing Box	2	No.3	FC	**included in ITEM# 11 Cable Assy **included in ITEM# 13 Cable Assy
11	001-007-76	Cabtyre Cable (32') 60Hz(USA)	1	2PNCT4Cx14mm2	(Vm)	
12	008-147-17	Mould Cover	1	KR3-9	CR	**included in ITEM# 11 Cable Assy
13	001-007-77	Cabtyre Cable (32') 60Hz(USA)	1	2PNCT3Cx14mm2	(Vm)	
14	008-150-13	Mould Cover	1	KR3-12	CR	**included in ITEM# 13 Cable Assy
15	140-029-28	Hex.Bolt	7	M6x10	SWRM	
16	009-107-18	Terminal	7	R-14-6	CU	
17	009-106-17	Terminal	6	R-8-6	CU	
18	141-004-59	Hex.Nut	7	M6	SWRM	
19	200-000-23	Electrical tape(30M)	1	540S(0.18T-25Wx30M)		
20	002-000-18	Heat Shrink Tube (per meter)	m	W3F2(3/4IN)	(Vm)	
21	143-000-58	Pan Screw (w/Spring Washer/Plain Washer)	1	M6x12	SWRM	
22	009-106-17	Terminal	2	R-8-6	CU	
23	046-000-03	Air Release Valve	1	PT-1/2	SUS304	
24	140-101-12	Hex.Bolt	6	M12x50	SUS304	
25	142-165-10	Spring Washer	6	M12	SUS304	
26	142-000-47	Washer	6	M12(d12.5xd25.5x5t)	SUS304	
27	121-513-12	Seal Packing	6	d11.5xd21x4t	CR	*
28	217-000-16	Fixing Plate	1	TO150BG422-55/65	FC	
29	122-158-18	O-Ring	1	G-270(269.3xd5.7)	NBR	*
30	122-256-17	O-Ring	1	390xd5.7	NBR	*
31	072-125-21	Eye Bolt	2	M20	SUS304	
32	035-113-18	Oil Plug	1	M12x14	SUS304	
33	121-247-12	Packing	1	d12.3xd18x2t	PE	*
34	140-100-11	Hex.Bolt	6	M12x45	SUS304	
35	142-165-10	Spring Washer	6	M12	SUS304	
36	050-000-73	Motor Bracket	1		FC	
37	122-160-13	O-Ring	1	G-290(289.3xd5.7)	NBR	*
38	142-000-70	Wave Washer	1	d83xd99x0.9t	SK5	

PARTS LIST		SEWAGE & WASTEWATER PUMP				8/2/2019
ITEM	PART No.	DESCRIPTION	QTY	SIZE	MATERIAL	NOTES
39	052-000-27	Bearing (w/O-ring)	1	AC-6309ZZC3		
40	016-000-04	Lead Wire Protection Bush	2	d21xd52x11t	SBR	
41	058-000-22	Lead Wire Protection Plate	1	d130xd290x3tx21H	SPCC	
42	055-001-84	Rotor	1Set			
43	147-000-16	Impeller Key	1	16x10x63	SUS420	
44	053-001-67	Motor Protector	3	YS11A135A-D20	(H)	
45	056-005-27	Stator 440/460V-60Hz(USA)	1Set			
46	064-001-03	Motor Frame	1		FC	
47	142-427-13	Seal Washer	2	WD-12	SPC+NBR	
48	140-000-69	Hex.Bolt	2	M12x25	SS	
49	140-102-13	Hex.Bolt	6	M12x55	SUS304	
50	142-165-10	Spring Washer	6	M12	SUS304	
51	122-160-13	O-Ring	1	G-290(289.3xd5.7)	NBR	*
52	140-000-68	Hex.Bolt	4	M8x20	SS	
53	062-000-14	Bearing Fixing Plate	1	6314(d130xd190x4.5t)	SS	
54	052-145-12	Bearing	1Set	6314ZZD2C3		
55	146-039-16	Retaining Ring	1	C70	SK5	
56	060-000-62	Bearing Housing	1		FC	
57	122-160-13	O-Ring	1	G-290(289.3xd5.7)	NBR	*
58	090-112-18	Leakage Sensor(Float)	1	OLV-5-2(B)		
59	142-293-18	Seal Washer	1	W-10	SUS304	
60	026-116-13	Oil Seal	1	TC-659013	NBR	
61	065-000-44	Outer Cover	1	TO150BG422-55/65	SS	
62	122-256-17	O-Ring	1	390xd5.7	NBR	*
63	144-528-11	U-bolt	1	C-#20-M10	SUS304	
64	141-006-19	Hex.Nut	4	M10	SUS304	
65	035-113-18	Oil Plug	1	M12x14	SUS304	
66	121-247-12	Packing	1	d12.3xd18x2t	PE	*
67	029-000-34	Casing Cover	1	200BK422-52/62	FC	
68	121-513-12	Seal Packing	6	d11.5xd21x4t	CR	
69	142-000-47	Washer	6	M12(d12.5xd25.5x5t)	SUS304	
70	142-165-10	Spring Washer	6	M12	SUS304	
71	140-101-12	Hex.Bolt	6	M12x50	SUS304	
72	121-247-12	Packing	2	d12.3xd18x2t	PE	*
73	035-113-18	Oil Plug	2	M12x14	SUS304	
74	025-001-18	Mechanical Seal	1	H-60 (RoHS)	SiC	replaces OLD part# 025-000-51
75	143-028-13	Pan Screw	3	M5x10	SWRM	
76	030-134-10	Oil Lifter	1	H-60	SPCC	

PARTS LIST		SEWAGE & WASTEWATER PUMP				8/2/2019
ITEM	PART No.	DESCRIPTION	QTY	SIZE	MATERIAL	NOTES
77	122-256-17	O-Ring	1	390xd5.7	NBR	*
78	122-159-19	O-Ring	1	G-280(279.3xd5.7)	NBR	*
79	121-247-12	Packing	1	d12.3xd18x2t	PE	*
80	035-113-18	Oil Plug	1	M12x14	SUS304	
81	140-127-14	Hex.Bolt	6	M16x55	SUS304	
82	142-166-11	Spring Washer	6	M16	SUS304	
83	029-000-31	Oil Casing	1	150BG422-53/63	FC	
84	142-000-23	Spring Washer	6	M16(CP)	SUS304	
85	140-317-13	Hex.Socket Cap Bolt	6	M16x40	SUS304	
86	026-229-10	Oil Seal	1	TC-10012513	NBR	
87	029-000-33	Casing Plate	1	200BK422-52/62	FC	
88	140-286-12	Hex.Socket Cap Bolt	3	M10x30	SUS304	
89	031-000-02	Wear Ring	1	150B422-53/63	FC	
90	140-248-12	Hex.Socket Cap Bolt	4	M6x14	SUS304	
91	021-004-69	Impeller (60Hz)	1	200BK422-64	FC	
92	145-035-19	Taper Pin	1	5x10	SUS304	
93	142-431-10	Impeller Fixing Washer	1	d18xd65x11t(w/Pin)	SUS304	
94	217-020-17	Fixing Plate	1	d60x3t M16(B=24)	SUS304	
95	140-232-13	Hex.Socket Cap Bolt	2	M5x10	SUS304	
96	140-128-15	Hex.Bolt	1	M16x60	SUS304	
97	122-258-19	O-Ring	1	395xd5	NBR	*
98	020-001-13	Pump Casing	1	200BK422-52/62	FC	
99	046-107-13	Air Release Valve	1	PT-1/2	Nylon	
100	121-000-45	Packing (S.Cover)		d387xd450x0.3t	PE	
101	022-000-80	Suction Cover	1	200BK422-52/62	FC	
102	142-165-10	Spring Washer	6	M12	SUS304	
103	140-098-15	Hex.Bolt	6	M12x35	SUS304	
104	023-000-41	Strainer Stand	1	200B422-53/63	FCD	
105	142-130-16	Plain Washer	4	M16	SUS304	
106	142-166-11	Spring Washer	4	M16	SUS304	
107	140-126-13	Hex.Bolt	4	M16x50	SUS304	
108	037-120-14	Discharge Bend	1	200x200mm	FC	
109	121-166-29	Packing	1	JIS5Kx200mm	NR	
110	140-127-14	Hex.Bolt	8	M16x55	SUS304	
111	142-166-11	Spring Washer	8	M16	SUS304	
		<Guide rail rail fittings>				
	099-114-17	Fitting Flange	1	TO-200	FC	
	121-166-29	Packing	1	JIS5Kx200mm	NR	

* Indicates items included in set

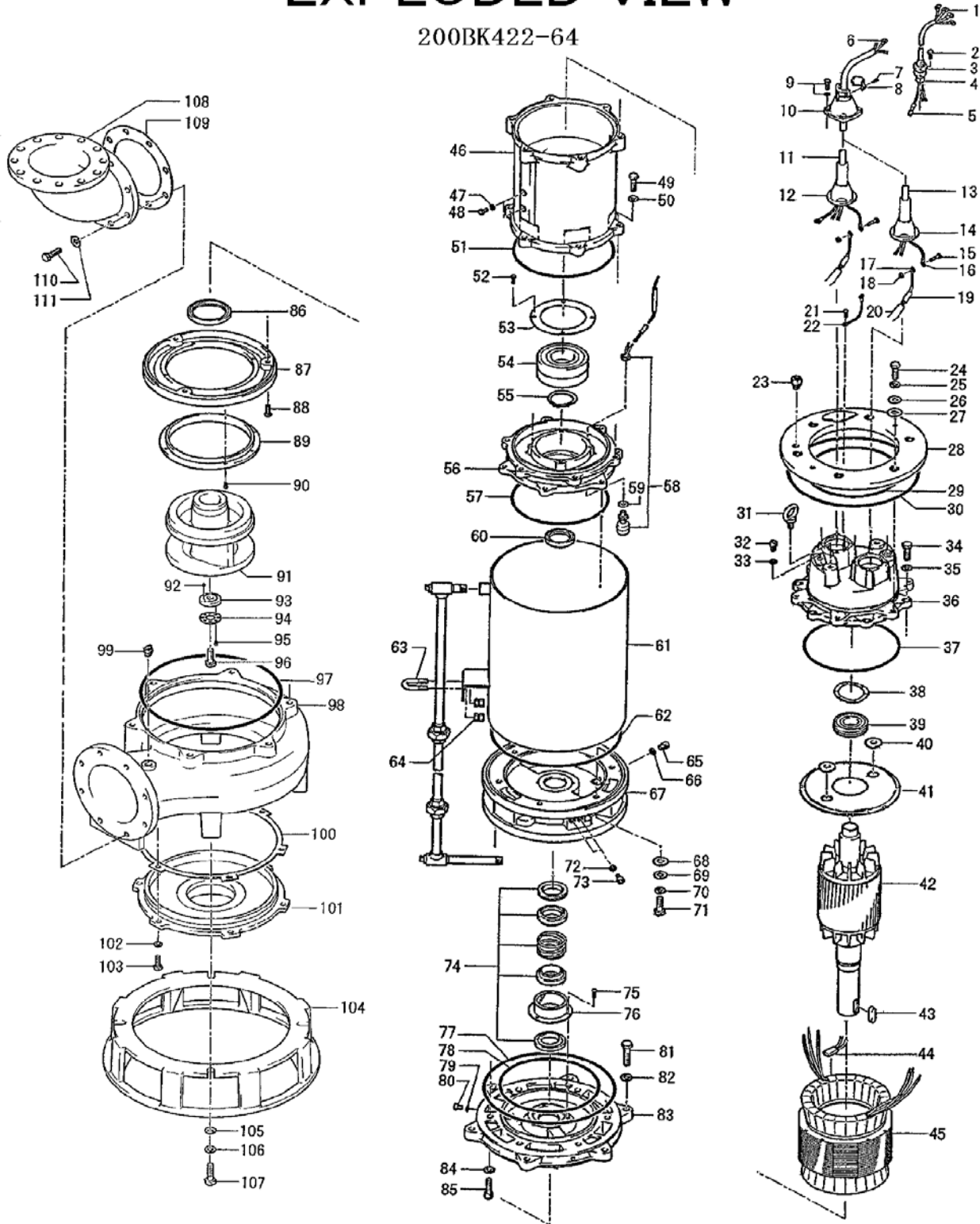
PARTS LIST		SEWAGE & WASTEWATER PUMP				8/2/2019
ITEM	PART No.	DESCRIPTION	QTY	SIZE	MATERIAL	NOTES
	140-317-13	Hex.Socket Cap Bolt	8	M16x40	SUS304	
	093-000-03	Guide Hook	1	TO-200/250	FCD	
	140-154-10	Hex.Bolt	3	M20x80	SUS304	
	142-168-13	Spring Washer	3	M20	SUS304	
	091-108-14	Duck Foot Bend(JIS10K)	1	TO-200	FC	
	096-103-14	Guide Connector	2	40mm	SS	
	140-101-12	Hex.Bolt	2	M12x50	SUS304	
	142-165-10	Spring Washer	2	M12	SUS304	
	094-109-14	Guide Support	1	TO-150/250	FCD	
	140-099-16	Hex.Bolt	3	M12x40	SUS304	
	141-007-10	Hex.Nut	3	M12	SUS304	
	142-129-12	Plain Washer	3	M12	SUS304	
		<NPT Flange Version>				
	048-239-11	Welding Flange	1	JIS10Kx200mm	SS	
	121-109-24	Packing	1	JIS10Kx200mm	NR	
	140-154-36	Hex.Bolt	12	M20x80	SWRM	
	141-009-12	Hex.Nut	12	M20	SUS304	
	142-168-26	Spring Washer	12	M20	SWRH	
	173-002-51	Packing O-Ring Set	1Set	(Marked by *)		
27	121-513-12	Seal Packing (Fixing Plate Bolt)	6	d11.5xd21x4t	CR	*
29	122-158-18	O-Ring (Fixing Plate/M.Bracket)	1	G-270(269.3xd5.7)	NBR	*
30	122-256-17	O-Ring (Fixing Plate/Out.Cover)	1	390xd5.7	NBR	*
33	121-247-12	Packing (Air Tightness Test Plug)	1	d12.3xd18x2t	PE	*
37	122-160-13	O-Ring (M.Bracket/M.Frame)	1	G-290(289.3xd5.7)	NBR	*
51	122-160-13	O-Ring (M.Frame/Brq.Housing)	1	G-290(289.3xd5.7)	NBR	*
57	122-160-13	O-Ring (Brq.Housing/Casing Cover)	1	G-290(289.3xd5.7)	NBR	*
62	122-256-17	O-Ring (Outer Cover/Casing Cover)	1	390xd5.7	NBR	*
66	121-247-12	Packing (Drain Plug)	1	d12.3xd18x2t	PE	*
68	121-513-12	Seal Packing (Casing Cover Bolt)	6	d11.5xd21x4t	CR	*
72	121-247-12	Packing (Oil Plug)	2	d12.3xd18x2t	PE	*
77	122-256-17	O-Ring (Casing Cover/O.Casing)	1	390xd5.7	NBR	*
78	122-159-19	O-Ring (Casing Cover/O.Casing)	1	G-280(279.3xd5.7)	NBR	*
79	121-247-12	Packing (Drain Plug)	1	d12.3xd18x2t	PE	*
97	122-258-19	O-Ring (O.Casing/P.Casing)	1	395xd5	NBR	*
		Lubricant		Turbine Oil VG32 3,400ml		
		<Chain&Shackle>(SS)				
	095-149-19	Chain	1	11mmx5M	SS	
	011-105-13	Shackle	1	16mm	SS	

PARTS LIST		SEWAGE & WASTEWATER PUMP				8/2/2019
ITEM	PART No.	DESCRIPTION	QTY	SIZE	MATERIAL	NOTES
	095-250-14	Chain	1	11mm(11L)	SS	
	011-105-13	Shackle	2	16mm	SS	
		<Chain&Shackle>(SUS)				
	095-176-15	Chain	1	9mmx5M	SUS304	
	011-137-14	Shackle	1	16mm	SUS304	
	095-108-29	Chain	1	11mm(8L)	SUS304	
	011-137-14	Shackle	2	16mm	SUS304	
		Cooling Pipe Set				
	080-000-89	Cooling Pipe Set	1Set		SUS304	

PARTS LIST		SEWAGE & WASTEWATER PUMP			8/2/2019	
ITEM	PART No.	DESCRIPTION	QTY	SIZE	MATERIAL	NOTES

EXPLODED VIEW

200BK422-64



C-01208-1