

| PARTS LIST |            | AGITATOR PUMP                     |     |                                 | 5/8/2023 |                                 |
|------------|------------|-----------------------------------|-----|---------------------------------|----------|---------------------------------|
| ITEM       | PART No.   | DESCRIPTION                       | QTY | SIZE                            | MATERIAL | NOTES                           |
| 1          | 009-113-17 | Terminal                          | 3   | R-38-10                         | CU       | included in ITEM# 7 Cable Ass'y |
| 2          | 009-107-18 | Terminal                          | 1   | R-14-6                          | CU       | included in ITEM# 7 Cable Ass'y |
| 3          | 009-116-10 | Terminal                          | 3   | R-2-4                           | CU       | included in ITEM# 7 Cable Ass'y |
| 4          | 010-103-21 | Cable Clip                        | 2   | No.4                            | SPC      |                                 |
| 5          | 140-074-15 | Hex.Bolt                          | 3   | M10x20                          | SUS304   |                                 |
| 6          | 141-006-19 | Hex.Nut                           | 3   | M10                             | SUS304   |                                 |
| 7          | 001-010-26 | Cabtyre Cable Assy                | 1   | 2PNCT.F 7Cx30mm2x15m            |          |                                 |
| 7A         | 001-002-57 | Cabtyre Cable (Sold per meter)    | 15  | 2PNCTFMulti-core7Cx30mm2(d34.1) | (Vm)     | included in ITEM# 7 Cable Ass'y |
| 8          | 010-129-10 | Cable Clip Rubber                 | 1   | 115x100x2t                      | NBR      |                                 |
| 9          | 140-058-42 | Hex.Bolt                          | 4   | M8x40                           | SUS304   | included in ITEM# 7 Cable Ass'y |
| 10         | 141-005-18 | Hex.Nut                           | 4   | M8                              | SUS304   | included in ITEM# 7 Cable Ass'y |
| 11         | 003-106-19 | Gland                             | 1   | No.5                            | FC       | included in ITEM# 7 Cable Ass'y |
| 12         | 004-000-08 | Cable Bush                        | 1   | d34.5xd58x27L                   | NBR      | included in ITEM# 7 Cable Ass'y |
| 13         | 140-076-17 | Hex.Bolt                          | 4   | M10x30                          | SUS304   |                                 |
| 14         | 142-164-19 | Spring Washer                     | 4   | M10                             | SUS304   |                                 |
| 15         | 006-000-08 | Stuffing Box                      | 1   | GSZ3-22-6                       | FC       | included in ITEM# 7 Cable Ass'y |
| 16         | 122-132-16 | O-Ring                            | 1   | G-105(104.4xd3.1)               | NBR      | *                               |
| 17         | 009-107-18 | Terminal                          | 1   | R-14-6                          | CU       | included in ITEM# 7 Cable Ass'y |
| 18         | 140-029-28 | Hex.Bolt                          | 1   | M6x10                           | SWRM     |                                 |
| 19         | 009-114-18 | Connector                         | 2   | PC-4020M                        |          | included in ITEM# 7 Cable Ass'y |
| 20         | 009-114-18 | Connector                         | 1   | PC-4020M                        |          |                                 |
| 21         | 009-115-19 | Connector                         | 1   | PC-4020F                        |          |                                 |
| 22         | 009-115-19 | Connector                         | 2   | PC-4020F                        |          |                                 |
| 23         | 141-004-59 | Hex.Nut                           | 4   | M6                              | SWRM     |                                 |
| 24         | 009-167-16 | Terminal                          | 3   | R-38-S6                         | CU       | included in ITEM# 7 Cable Ass'y |
| 25         | 009-107-18 | Terminal                          | 6   | R-14-6                          | CU       |                                 |
| 26         | 140-030-35 | Hex.Bolt                          | 3   | M6x12                           | SWRM     |                                 |
| 27         | 002-128-14 | Heat Shrink Tube (Sold per meter) | m   | EVA(d10x1t)                     | (Vm)     |                                 |
| 27A        | 002-164-12 | Heat Shrink Tube (Sold per meter) | m   | A4(d13.2X0.3t)                  | (Vm)     |                                 |
| 28         | 200-000-16 | Electrical tape                   | 1   | N tape(0.5x19x10M)              |          |                                 |
| 28         | 200-000-17 | Electrical tape                   | 1   | S tape(0.2x19x10M)              |          |                                 |
| 28         | 002-140-12 | Heat Shrink Tube (Sold per meter) | m   | ST-110DG(d19)                   | (Vm)     |                                 |
| 28         | 002-163-11 | Heat Shrink Tube Silicon Rubber   | m   | ST-80DG                         |          |                                 |
| 28         | 200-000-10 | Insulating Tape                   | m   | W=25,T=0.18                     |          |                                 |
| 29         | 143-041-12 | Pan Screw                         | 1   | M6x8                            | SWRM     |                                 |
| 30         | 009-107-18 | Terminal                          | 2   | R-14-6                          | CU       |                                 |
| 31         | 140-076-17 | Hex.Bolt                          | 4   | M10x30                          | SUS304   |                                 |

| PARTS LIST |            | AGITATOR PUMP              |      |                        | 5/8/2023     |       |
|------------|------------|----------------------------|------|------------------------|--------------|-------|
| ITEM       | PART No.   | DESCRIPTION                | QTY  | SIZE                   | MATERIAL     | NOTES |
| 32         | 142-164-19 | Spring Washer              | 4    | M10                    | SUS304       |       |
| 33         | 214-008-10 | Blind Cover                | 1    |                        | FC           |       |
| 34         | 122-132-16 | O-Ring                     | 1    | G-105(104.4xd3.1)      | NBR          | *     |
| 35         | 140-427-17 | Hex.Bolt (w/Plain Washer)  | 2    | M5x15                  | SUS304       |       |
| 36         | 003-175-19 | Blind Cover                | 1    | LB                     | SUS304       |       |
| 37         | 121-000-01 | Packing (Blind Cover)      | 1    | LB                     | NBR          |       |
| 38         | 011-000-44 | Shackle                    | 1    | #5(for Clip)           | SS           |       |
| 39         | 095-100-18 | Chain                      | 1    | d5(9-Link)             | SS           |       |
| 40         | 072-108-44 | Eye Bolt                   | 2    | M30                    | SS           |       |
| 41         | 140-052-17 | Hex.Bolt                   | 2    | M8x16                  | SUS304       |       |
| 42         | 142-163-18 | Spring Washer              | 2    | M8                     | SUS304       |       |
| 43         | 046-000-05 | Air Release Valve          | 1    | GSZ/NKZ/B              | SPCC         |       |
| 44         | 121-151-18 | Packing                    | 1    | P.C.80xd50             | CR           | *     |
| 45         | 203-058-11 | Ball                       | 1    | d28                    | SS           |       |
| 46         | 140-102-13 | Hex.Bolt                   | 6    | M12x55                 | SUS304       |       |
| 47         | 142-165-10 | Spring Washer              | 6    | M12                    | SUS304       |       |
| 48         | 142-000-47 | Washer                     | 6    | M12(d12.5xd25.5x5t)    | SUS304       |       |
| 49         | 121-513-12 | Seal Packing               | 6    | d11.5xd21x4t           | CR           | *     |
| 50         | 217-000-21 | Fixing Plate               | 1    | GSZ-37/45KW,U-30/37KW  | FC           |       |
| 51         | 122-359-11 | O-Ring                     | 1    | 445xd5.7               | NBR          | *     |
| 52         | 122-353-15 | O-Ring                     | 1    | 310xd5.7               | NBR          | *     |
| 53         | 035-113-18 | Oil Plug                   | 1    | M12x14                 | SUS304       |       |
| 54         | 121-247-12 | Packing                    | 1    | d12.3xd18x2t           | Polyethylene | *     |
| 55         | 140-100-11 | Hex.Bolt                   | 6    | M12x45                 | SUS304       |       |
| 56         | 142-165-10 | Spring Washer              | 6    | M12                    | SUS304       |       |
| 57         | 050-000-76 | Motor Bracket              | 1    |                        | FC           |       |
| 58         | 122-353-15 | O-Ring                     | 1    | 310xd5.7               | NBR          | *     |
| 59         | 142-000-73 | Wave Washer                | 1    | 6310(d109xd92x7Hx1.2t) | SK5          |       |
| 60         | 052-000-50 | Bearing (w/O-ring)         | 1    | AC-6310ZZC3            |              |       |
| 61         | 016-000-04 | Lead Wire Protection Bush  | 2    | d21xd52x11t            | SBR          |       |
| 62         | 058-000-23 | Lead Wire Protection Plate | 1    | d120xd315x3t           | SPCC         |       |
| 63         | 065-000-52 | Outer Cover                | 1    |                        | SGP          |       |
| 64         | 055xxxxx   | Rotor                      | 1Set |                        |              |       |
| 65         | 147-000-38 | Impeller Key               | 1    | 16x10x65L              | SUS420       |       |
| 66         | 053-001-67 | Motor Protector            | 3    | YS11A135A-D20          | (H)          |       |
| 67         | 056-005-61 | Stator 460V-60Hz(USA)      | 1Set |                        |              |       |
| 67         | 056-005-63 | Stator 575V-60Hz(USA)      | 1Set |                        |              |       |

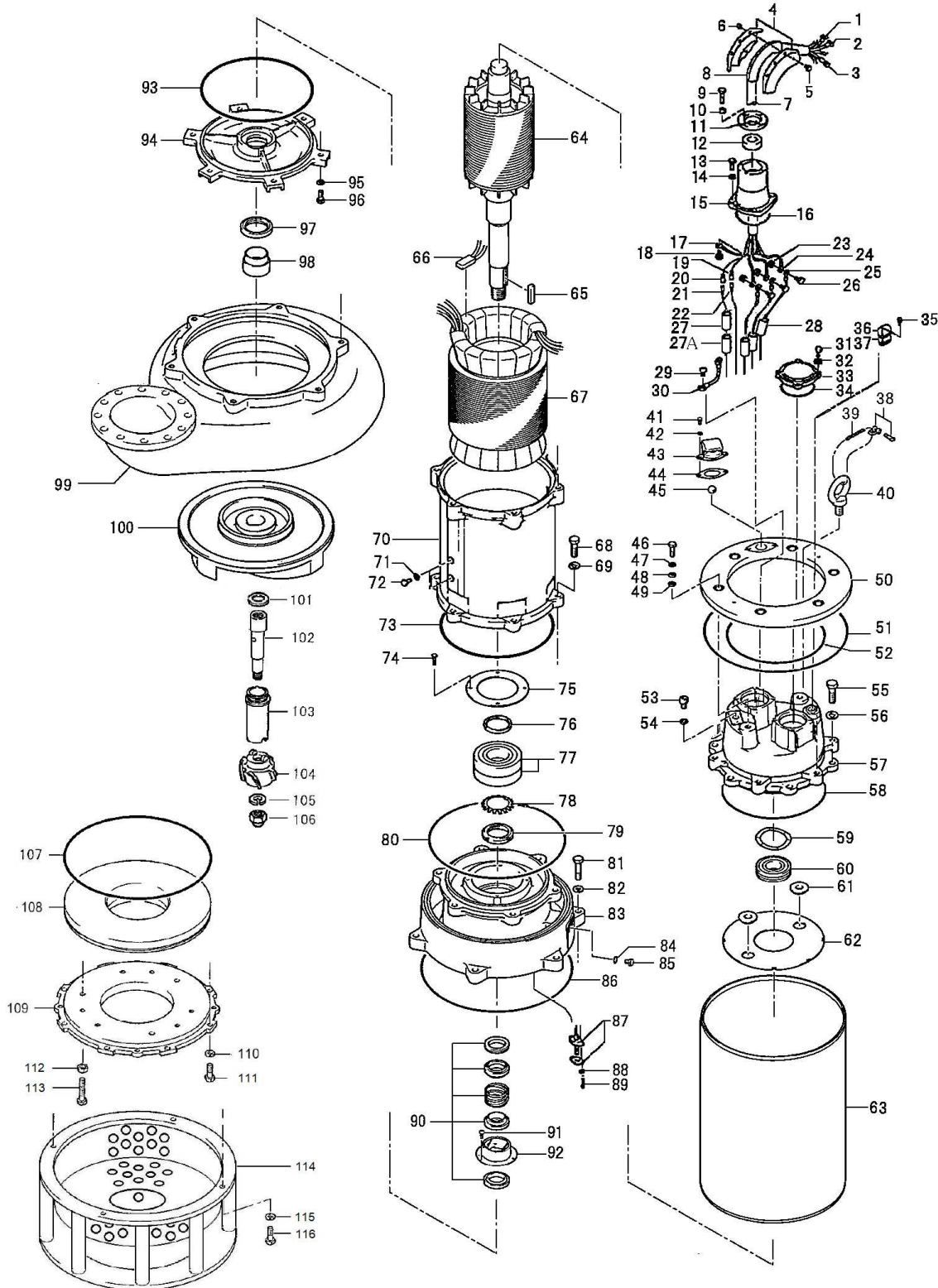
| PARTS LIST |            | AGITATOR PUMP                    |      |                        | 5/8/2023 |       |
|------------|------------|----------------------------------|------|------------------------|----------|-------|
| ITEM       | PART No.   | DESCRIPTION                      | QTY  | SIZE                   | MATERIAL | NOTES |
| 68         | 140-128-15 | Hex.Bolt                         | 6    | M16x60                 | SUS304   |       |
| 69         | 142-166-11 | Spring Washer                    | 6    | M16                    | SUS304   |       |
| 70         | 064-001-04 | Motor Frame                      | 1    |                        | FC       |       |
| 71         | 142-427-13 | Seal Washer                      | 2    | WD-12                  | SPC+NBR  |       |
| 72         | 140-000-69 | Hex.Bolt                         | 2    | M12x25                 | SS       |       |
| 73         | 122-308-15 | O-Ring                           | 1    | 320xd5.7               | NBR      | *     |
| 74         | 140-000-68 | Hex.Bolt                         | 4    | M8x20                  | SS       |       |
| 75         | 062-000-15 | Bearing Fixing Plate             | 1    | 6315(PC185)            | SS       |       |
| 76         | 061-000-05 | Slinger                          | 1    | 6315/7315              | SS       |       |
| 77         | 052-000-06 | Bearing                          | 1Set | 6315ZZD2C3             |          |       |
| 78         | 142-248-18 | Bearing Washer                   | 1    | AW15                   | SPCC     |       |
| 79         | 000-141-07 | Bearing Nut                      | 1    | AN15                   | SS       |       |
| 80         | 122-359-11 | O-Ring                           | 1    | 445xd5.7               | NBR      | *     |
| 81         | 140-130-10 | Hex.Bolt                         | 6    | M16x70                 | SUS304   |       |
| 82         | 142-166-11 | Spring Washer                    | 6    | M16                    | SUS304   |       |
| 83         | 060-001-05 | Bearing Housing                  | 1    |                        | FC       |       |
| 84         | 122-259-10 | O-Ring                           | 2    | 12xd3                  | NBR      | *     |
| 85         | 035-102-30 | Oil Plug                         | 2    | M12x16(B=21)           | SUS304   |       |
| 86         | 122-266-10 | O-Ring                           | 1    | 460xd6                 | NBR      | *     |
| 87         | 090-122-11 | Leakage Sensor(Electrode)w/Gland | 1Set | d9x43L                 | SUS      |       |
| 88         | 142-161-32 | Spring Washer                    | 2    | M5                     | SWRH     |       |
| 89         | 140-000-67 | Hex.Bolt                         | 2    | M5x20                  | SS       |       |
| 90         | 025-001-18 | Mechanical Seal                  | 1    | H-60(ROHS)(E)          | SIC      |       |
| 91         | 143-028-13 | Pan Screw                        | 3    | M5x10                  | SWRM     |       |
| 92         | 030-134-10 | Oil Lifter                       | 1    | H-60                   | SPCC     |       |
| 93         | 122-265-19 | O-Ring                           | 1    | 335xd5.7               | NBR      | *     |
| 94         | 029-138-23 | Oil Casing                       | 1    | GSZ2-37-6              | FC       |       |
| 95         | 142-165-10 | Spring Washer                    | 6    | M12                    | SUS304   |       |
| 96         | 140-098-15 | Hex.Bolt                         | 6    | M12x35                 | SUS304   |       |
| 97         | 026-118-15 | Oil Seal                         | 1    | TC-709513              | NBR      |       |
| 98         | 071-000-14 | Shaft Sleeve                     | 1    | GSZ3-37-6              | SUS403   |       |
| 99         | 020-003-21 | Pump Casing                      | 1    | GSZ5-37-6(JIS10K-200A) | FC       |       |
| 100        | 021xxxxx   | Impeller (60Hz)                  | 1    | GSZ5-37-6              | HiCrFC   |       |
| 101        | 142-351-15 | Plain Washer                     | 1    | D74xd43x6T             | SPC      |       |
| 102        | 024-155-18 | Connecting Rod                   | 1    | GPN837                 | SS400    |       |
| 103        | 024-157-10 | Shaft Cover                      | 1    | GPN837                 | FCD      |       |
| 104        | 024-158-11 | Agitator                         | 1    | GPN837                 | HiCrFC   |       |

| PARTS LIST |            | AGITATOR PUMP                     |      |                          | 5/8/2023     |       |
|------------|------------|-----------------------------------|------|--------------------------|--------------|-------|
| ITEM       | PART No.   | DESCRIPTION                       | QTY  | SIZE                     | MATERIAL     | NOTES |
| 105        | 142-171-19 | Spring Washer                     | 1    | M30                      | SUS304       |       |
| 106        | 141-036-18 | Hex.Cap Nut                       | 1    | M30                      | SUS304       |       |
| 107        | 122-307-14 | O-Ring                            | 1    | 510xd5.7                 | NBR          | *     |
| 108        | 033-108-30 | Suction Plate                     | 1    | GPN-22-6H                | HiCrFC       |       |
| 109        | 022-177-23 | Suction Cover                     | 1    | GSZ-37-6                 | FC           |       |
| 110        | 142-166-11 | Spring Washer                     | 8    | M16                      | SUS304       |       |
| 111        | 140-124-11 | Hex.Bolt                          | 8    | M16x40                   | SUS304       |       |
| 112        | 023xxxxx   | Strainer Stand                    | 1    | GPN837                   | SGP+SS       |       |
| 113        | 142-166-11 | Spring Washer                     | 4    | M16                      | SUS304       |       |
| 114        | 140-125-12 | Hex.Bolt                          | 4    | M16x45                   | SUS304       |       |
|            | 140-171-13 | Hex.Bolt                          | 12   | M22x55                   | SUS304       |       |
|            | 142-168-13 | Spring Washer                     | 12   | M20                      | SUS304       |       |
|            | 048-000-52 | Screwed Flange                    | 1    | NPT-8(JIS10K)            | FC           |       |
|            | 121-109-24 | Packing                           | 1    | JIS10Kx200mm             | NR           |       |
|            | 173-000-95 | <b>Packing O-Ring Set</b>         | 1Set | (Marked by *)            |              |       |
| 16         | 122-132-16 | O-Ring (S.Box)                    | 1    | G-105(104.4xd3.1)        | NBR          | *     |
| 34         | 122-132-16 | O-Ring (Blind Cover)              | 1    | G-105(104.4xd3.1)        | NBR          | *     |
| 44         | 121-151-18 | Packing (Air Release Valve)       | 1    | P.C.80xd50               | CR           | *     |
| 49         | 121-513-12 | Seal Packing (Fixing Plate Bolt)  | 6    | d11.5xd21x4t             | CR           | *     |
| 51         | 122-359-11 | O-Ring (Fixing Plate/Out.Cover)   | 1    | 445xd5.7                 | NBR          | *     |
| 52         | 122-353-15 | O-Ring (Fixing Plate/M.Bracket)   | 1    | 310xd5.7                 | NBR          | *     |
| 54         | 121-247-12 | Packing (Air Tightness Test Plug) | 1    | d12.3xd18x2t             | Polyethylene | *     |
| 58         | 122-353-15 | O-Ring (M.Bracket/M.Frame)        | 1    | 310xd5.7                 | NBR          | *     |
| 73         | 122-308-15 | O-Ring (M.Frame/Brg.Housing)      | 1    | 320xd5.7                 | NBR          | *     |
| 80         | 122-359-11 | O-Ring (Out.Cover/Brg.Housing)    | 1    | 445xd5.7                 | NBR          | *     |
| 84         | 122-259-10 | O-Ring (Oil Plug)                 | 2    | 12xd3                    | NBR          | *     |
| 86         | 122-266-10 | O-Ring (Brg.Housing/P.Casing)     | 1    | 460xd6                   | NBR          | *     |
| 93         | 122-265-19 | O-Ring (Brg.Housing/O.Casing)     | 1    | 335xd5.7                 | NBR          | *     |
| 107        | 122-307-14 | O-Ring (P.Casing/Suction Plate)   | 1    | 510xd5.7                 | NBR          | *     |
|            | 121-109-24 | Packing (Flanged /P.Casing)       | 1    | JIS10Kx200mm             | NR           | *     |
|            |            | Lubricant                         |      | Turbine Oil VG32 9,200ml |              |       |

| PARTS LIST |          | AGITATOR PUMP |     |      | 5/8/2023 |       |
|------------|----------|---------------|-----|------|----------|-------|
| ITEM       | PART No. | DESCRIPTION   | QTY | SIZE | MATERIAL | NOTES |

## EXPLODED VIEW

GPN837-61 (JIS10K, DOL)



\* Indicates items included in set