

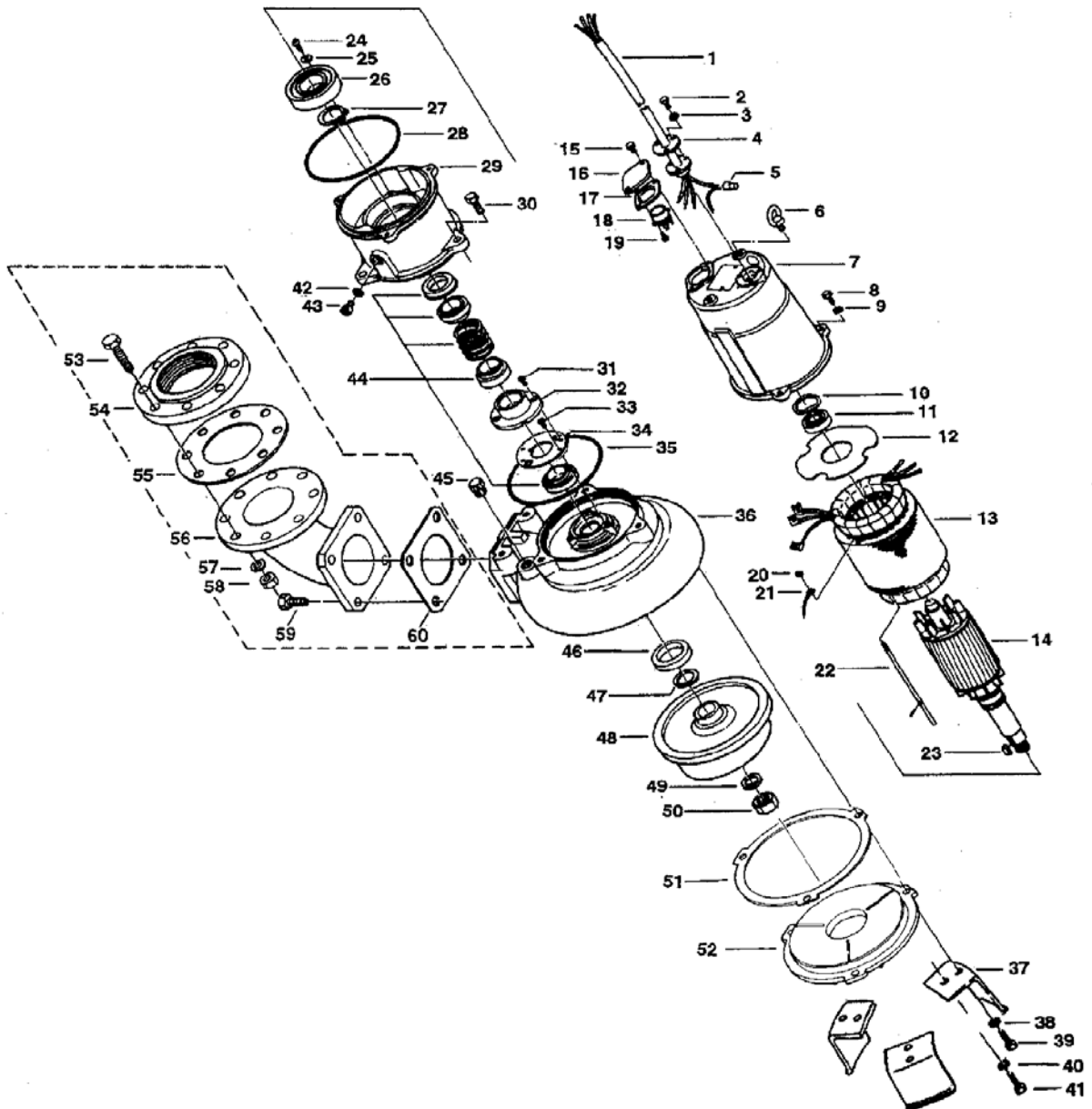
PARTS LIST		SEWAGE & WASTEWATER PUMP			8/6/2018	
ITEM	PART No.	DESCRIPTION	QTY	SIZE	MATERIAL	NOTES
1	001-150-25	Cabtyre Cable Set (32') 60Hz(USA)	1	VCT4Cx3.5mm2	BE/CE	
2	140-021-17	Hex.Bolt	3	M5x20	SUS304	
3	142-422-18	Seal Washer	3	PM-5	SUS+NBR	
4	003-111-20	Gland	1		SUS304	
5	009-275-18	Compression type Terminal	4	TGNB-5.5(Insulated)	CU	
6	072-100-20	Eye Bolt	2	M10	SUS304	
7	064-509-15	Motor Frame	1		FC	
8	140-055-10	Hex.Bolt	3	M8x25	SUS304	
9	142-163-18	Spring Washer	3	M8	SUS304	
10	142-196-10	Wave Washer	1	6205/6304	SK5	
11	052-188-17	Bearing (w/O-ring)	1	AC-6304ZC3		
12	058-000-46	Lead Wire Protection Plate	1	d66xd148x1.6t	Bakelite	replaces OLD part# 058-117-13
13	056-596-14	Stator 230V-60Hz(USA)	1Set			
	056-002-47	Stator 460V-60Hz(USA)	1Set			
14	055-609-18	Rotor	1Set			
15	140-053-18	Hex.Bolt	2	M8x18	SUS304	
16	127-107-17	Protector Fixing Plate	1	22/37-BE2	SUS304	replaces OLD part# 127-195-12
17	121-446-13	Packing	1	22/37-BE2	NBR	*
18	053-241-25	Motor Protector 230V-60Hz(USA)	1	KA313-GGXL110	(T.C)	
	053-254-18	Motor Protector 460V-60Hz(USA)	1	KA313-GCXL103	(H.C)	
19	143-087-23	Pan Screw (w/Spring Washer)	2	M4x10	SWRM	
20	141-004-59	Hex.Nut	1	M6	SWRM	
21	009-159-15	Terminal	1	R-2-6	CU	
22	129-003-18	Stopper	1	M6x160(11/20)	SS	
23	147-066-15	Impeller Key	1	10x8x22L	SUS420	
24	143-042-13	Pan Screw	3	M6x10	SWRM	
25	062-196-19	Bearing Fixing Washer	3	d8xd20.5x2.3t	SS	
26	052-112-10	Bearing	1	6309ZC3		
27	146-027-11	Retaining Ring	1	C45	SK5	
28	122-333-19	O-Ring	1	170xd3.1	NBR	*
29	060-375-18	Bearing Housing	1		FC	
30	140-098-15	Hex.Bolt	3	M12x35	SUS304	
31	143-070-23	Pan Screw	2	M5x6	SWRM	
32	030-156-18	Oil Lifter	1	H-35(A)(T)	Resin	
33	143-070-10	Pan Screw	3	M5x6	SWRM	
34	030-150-12	Seal Stopper	1	H-35(A)(T)	SPCC	
35	122-246-14	O-Ring	1	180xd3.1	NBR	*
36	020-527-13	Pump Casing	1	37-BE2/CE2	FC	

PARTS LIST		SEWAGE & WASTEWATER PUMP				8/6/2018
ITEM	PART No.	DESCRIPTION	QTY	SIZE	MATERIAL	NOTES
37	023-469-15	Pump Stand	3	22/37-BE3	SPHC	
38	142-165-10	Spring Washer	3	M12	SUS304	
39	140-098-15	Hex.Bolt	3	M12x35	SUS304	
40	142-163-18	Spring Washer	3	M8	SUS304	
41	140-054-19	Hex.Bolt	3	M8x20	SUS304	
42	121-247-12	Packing	1	d12.3xd18x2t	PE	*
43	035-113-18	Oil Plug	1	M12x14	SUS304	
44	025-195-13	Mechanical Seal	1	H-35	SiC	
45	046-107-13	Air Release Valve	1	PT-1/2	Nylon	
46	026-143-19	Oil Seal	1	TC-507212	NBR	
47	040-113-14	Impeller Shim		d32.5xd48x0.3t	SUS304	
48	021-798-10	Impeller (60Hz)	1	100B43.7-62	FC	
	021-008-02	Impeller (50Hz) OPTION	1	100B43.7-52	FC	50Hz OPTION
49	142-170-18	Spring Washer	1	M24	SUS304	
50	141-011-17	Hex.Nut	1	M24	SUS304	
51	120-104-13	Packing		d230.5xd258x0.3t	M-Sheet	
52	022-737-14	Suction Cover	1	22/37-BE3	FC	
53	140-000-56	Hex.Bolt	8	M16x75	SWRM	included in BEND80x100 kit (specify ANSI or NPT)
54	048-139-10	Screwed Flange	1	NPT-4(JIS10K)	FC	included in BEND80x100 kit (specify ANSI or NPT)
55	121-106-34	Packing (For 100mm)	1	JIS10Kx100mm	NR	included in BEND80x100 kit (specify ANSI or NPT)
56	037-170-19	Discharge Bend(For 100mm)	1	80x100mm	FC	included in BEND80x100 kit (specify ANSI or NPT)
57	142-166-37	Spring Washer	8	M16	SWRH	included in BEND80x100 kit (specify ANSI or NPT)
58	141-008-11	Hex.Nut	8	M16	SUS304	included in BEND80x100 kit (specify ANSI or NPT)
59	140-124-11	Hex.Bolt	4	M16x40	SUS304	included in BEND80x100 kit (specify ANSI or NPT)
60	121-152-19	Packing	1	145mm2(P.C.145)	NBR	* included in BEND80x100 kit (specify ANSI or NPT)
	173-444-12	Packing O-Ring Set	1Set	(Marked by *)		
17	121-446-13	Packing (Protector Fixing Plate)	1	22/37-BE2	NBR	*
28	122-333-19	O-Ring (M.Frame/Brg.Housing)	1	170xd3.1	NBR	*
35	122-246-14	O-Ring (Brg.Housing/P.Casing)	1	180xd3.1	NBR	*
42	121-247-12	Packing (Oil Plug)	1	d12.3xd18x2t	PE	*
60	121-152-19	Packing (Discharge Bend)	1	145mm2(P.C.145)	NBR	*
		Lubricant		Turbine Oil VG32 1,250ml		

PARTS LIST		SEWAGE & WASTEWATER PUMP				8/6/2018
ITEM	PART No.	DESCRIPTION	QTY	SIZE	MATERIAL	NOTES

EXPLODED VIEW

100B43.7(H)-52/62
80B43.7(H)-52/62



C-00486-1