



LB - SERIES
SEMI-VORTEX - DEWATERING PUMP

SPECIFICATIONS

FEATURES

1. Semi-vortex urethane rubber or high chrome cast iron impeller suspends solids and allows for pumping of sand and stringy Material.
2. Highly efficient, continuous duty Air-filled, copper wound motor with class E,B insulation minimizes the cost of operation.
3. Built in thermal protection prevents motor failure due to overloading, accidental run-dry and single phasing in three phase units.
4. Double inside mechanical seals with silicon carbide faces running in an oil filled chamber provide for one the most durable seal designs available.
5. Double shielded, permanently lubricated, high temperature C3 ball bearings rated for a

provide for extended operational life.

6. Model LB-480A & LB-800A Automatic Submersible pump performs like the non-automatic version in every aspect of construction site usage requiring a tough and durable pump
7. Slim design allows pumps to fit Into 8" pipes. (Manual type only)

APPLICATIONS

1. Residential, commercial, industrial wastewater and site drainage.
2. Decorative waterfalls and fountains.
3. Raw water supply from lakes or rivers.
4. Sediment removal from small sumps or basins.



SPECIFICATIONS

- Discharge Size
- Horsepower Range
- Performance Range Capacity Head
- Maximum water temperature
- Materials of Construction
 - Casing
 - Impeller
 - Shaft
 - Motor Frame
 - Fasteners
- Mechanical Seal
 - Elastomers
- Impeller Type
- Solids Handling Capability
- Bearings
- Motor Nomenclature
 - Type, Speed, Hz.
 - Voltage, Phase
- Insulation
- Accessories
- Operational Mode

STANDARD

- 2 - 3 "NPT (50 - 80 mm)
- 1/2 - 2HP. (0.40 - 1.5kW)
- 15.9 - 111.0 GPM. (0.06 - 0.42 m³/min)
- 13.1 Ft. - 68.9 Ft. (4.0 - 18.9 m)
- 104° F. (40° C.)
- Butadiene Rubber + Natural Rubber + Steel [LB(T)-1500]
- Urethane Rubber , High Chrome Cast Iron [LB(T)-1500]
- 403 Stainless Steel
- Aluminum alloy
- 304 Stainless Steel
- Silicon Carbide
- NBR (Nitrile Butadiene Rubber)
- Semi-vortex, solids handling.
- 0.236" (6.0mm)
- Prelubricated, Double Shielded
- Air Filled, 3600 RPM, 60 Hz.
- 115 / 230V., 1 Phase
- 230 / 460 / 575V., 3 Phase
- Class E, B
- Submersible Power Cable
- 32 - 50' (10 - 15m)
- Manual , Automatic(LB-480A / 800A)

OPTIONS

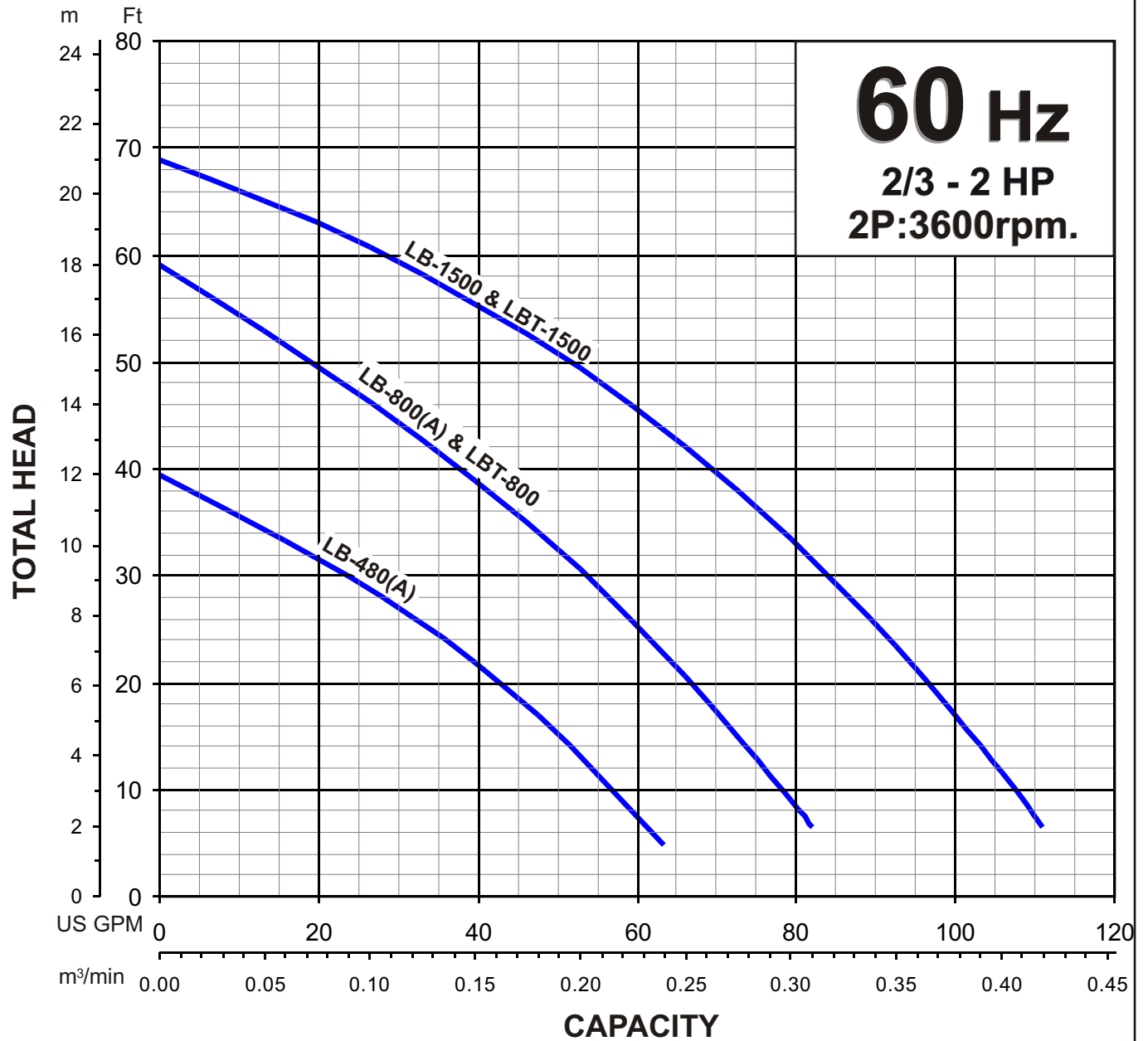
- Length as Required,
- TS-301 Float Switch



LB - SERIES SEMI-VORTEX - DEWATERING PUMP

PERFORMANCE RANGE

GROUP PERFORMANCE RANGE

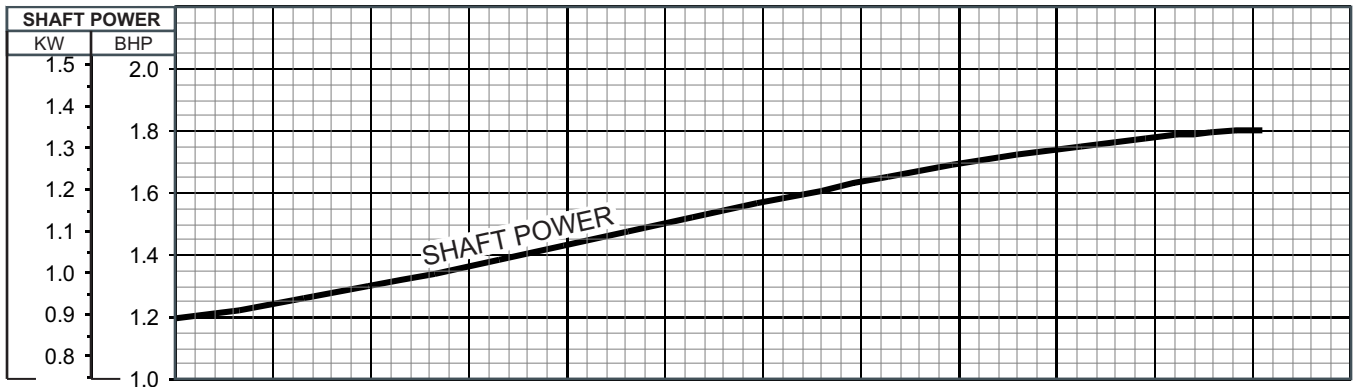
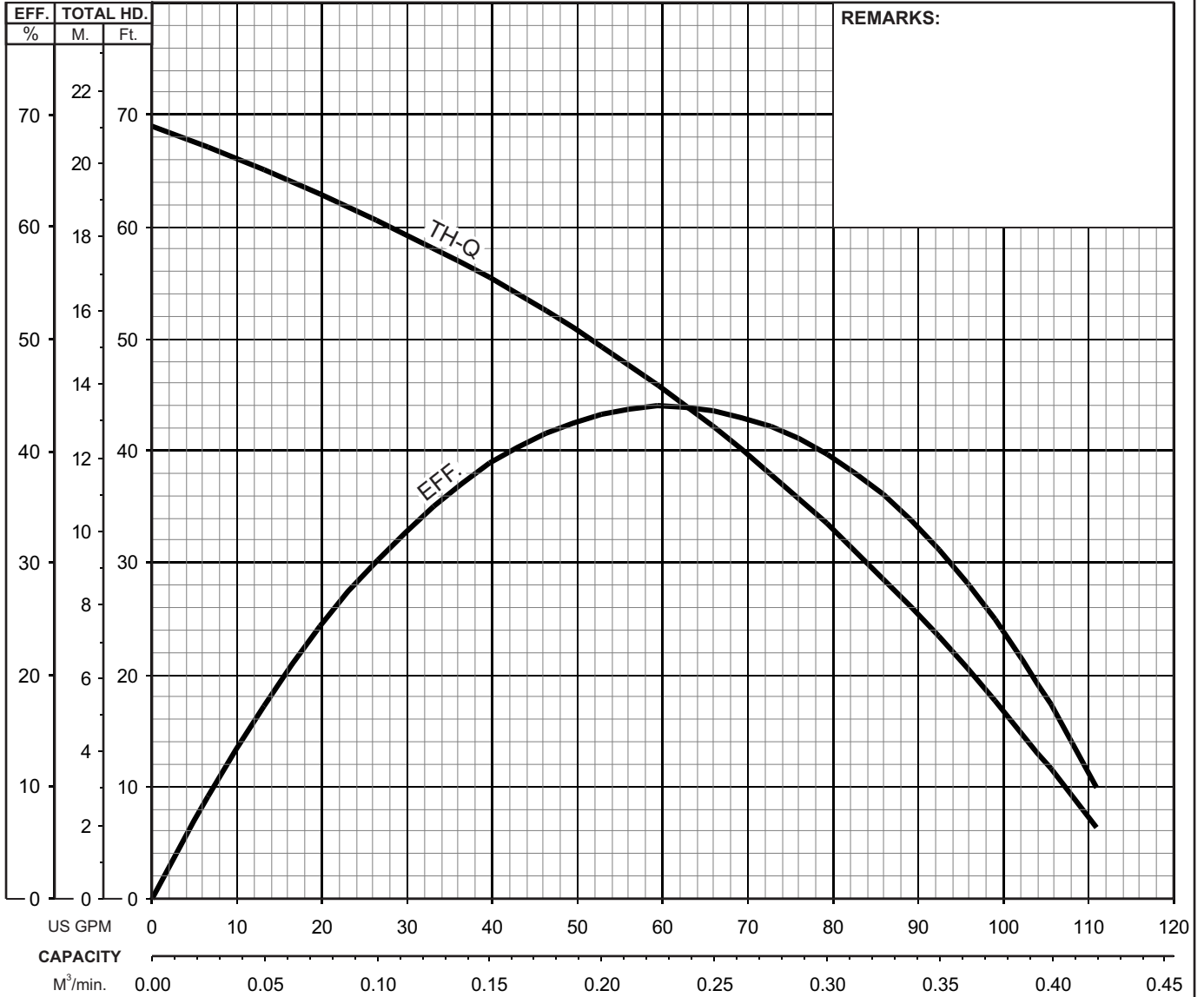




LB - SERIES SEMI-VORTEX - DEWATERING PUMP

PERFORMANCE CURVE

MODEL	BORE	HP	KW	RPM	SOLIDS DIA	LIQUID	SG.	VISCOSITY	TEMP.
LB-1500-60	3"/80mm	2	1.5	3480	0.236"/6mm	Water	1.0	1.123 cSt.	60°F
PUMP TYPE	PHASE	VOLTAGE	AMPERAGE	HZ	STARTING METHOD	INS. CLASS			
Semi-Vortex Dewatering Pump	Single	110/115/120, 230	27.1/26.2/27.0, 13.2	60	Capacitor Start	B			
CURVE No.	DATE	PHASE	VOLTAGE	AMPERAGE	HZ	STARTING METHOD	INS. CLASS		
-	-	-	-	-	-	-	-		

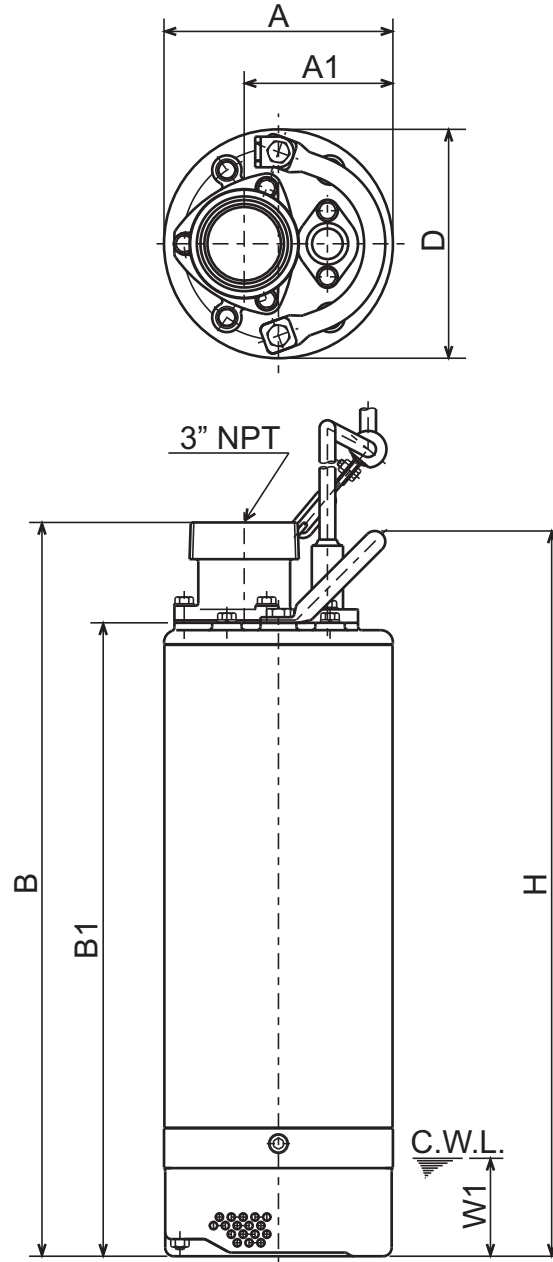




LB - SERIES
SEMI-VORTEX - DEWATERING PUMP

DIMENSIONS

LB-1500-60
LBT-1500-60



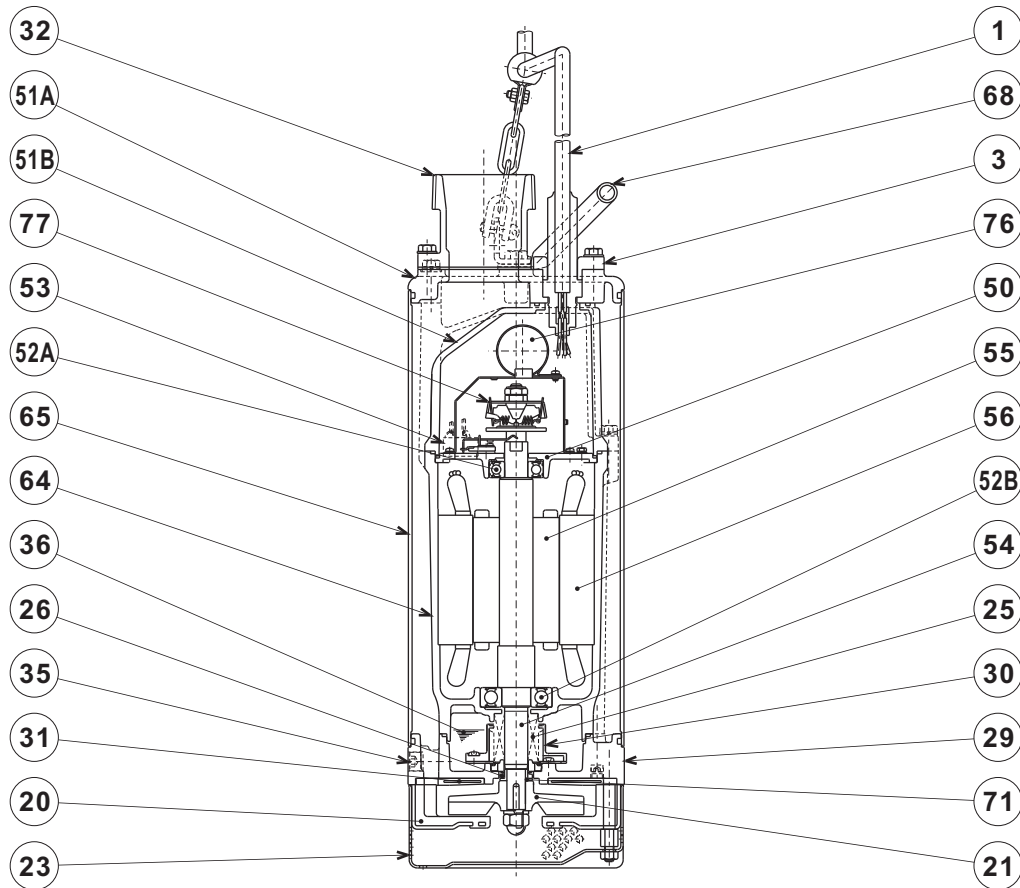
C.W.L. : Continuous running Water Level

DIMENSIONS:USCS (Inch)

Model	HP	NOM. SIZE	Pump & Motor						C.W.L.	Wt. (lbs.)
			A	A1	B	B1	D	H	W1	
LB-1500-60	2	3"	7 3/8	4 13/16	23 5/8	20 3/8	7 3/8	23 5/16	3 1/8	72
LBT-1500-60	2	3"	7 3/8	4 13/16	23 5/8	20 3/8	7 3/8	23 5/16	3 1/8	70

DIMENSIONS:METRIC (mm)

Model	kW	NOM. SIZE	Pump & Motor						C.W.L.	Wt. (kg)
			A	A1	B	B1	D	H	W1	
LB-1500-60	1.5	80	187	122	600	518	187	593	80	32.5
LBT-1500-60	1.5	80	187	122	600	518	187	593	80	32.0

LB-1500-60


ITEM#	DESCRIPTION	MAIN MATERIAL / NOTE	RELATED ASTM, AISI CODE	RELATED EN CODE	Q'TY
1	Power Cable	Chloroprene Sheath AWG12/3-50ft or AWG14/3-50ft (230V)			1
3	Gland	Aluminum Alloy Die Casting	B85 383.0	EN 1706 AC-46100	1
20	Pump Casing	Butadiene Rubber + Natural Rubber + Steel (Cold Rolled)	(A109/A1008)	(EN 10130)	1
21	Impeller	High Chrome Cast Iron	A532 Class III Type A	DIN 1695 G-X260Cr27	1
23	Suction Strainer	Steel (Cold Rolled)	A109/A1008	EN 10130	1
25	Mechanical Seal	Silicon Carbide / H-20T			1
26	V-Ring	Nitrile Butadiene Rubber			1
29	Oil Casing	Cast Iron	A48M Class30B	EN 1561 GJL-200	1
30	Oil Lifter	PBT Resin			1
31	Wearing Plate	Butadiene Rubber + Natural Rubber			1
32	Discharge Connection	Cast Iron / NPT 3"	A48M Class30B	EN 1561 GJL-200	1
35	Oil Plug	Stainless Steel	S 30400	1.4301	1
36	Lubricant	Turbine Oil ISO VG32 or SAE10W -20			
50	Motor Bracket	Aluminum Alloy Die Casting	B85 383.0	EN 1706 AC-46100	1
51A	Pump Head Cover	Aluminum Alloy Die Casting	B85 383.0	EN 1706 AC-46100	1
51B	Motor Head Cover	Aluminum Alloy Die Casting	B85 383.0	EN 1706 AC-46100	1
52A	Upper Bearing	AC-#6204ZZC3			1
52B	Lower Bearing	#6305ZZC3			1
53	Motor Protector				1
54	Shaft	Stainless Steel	S 40300	1.4000	1
55	Rotor				1
56	Stator				1
64	Motor Housing	Aluminum Alloy Die Casting	B85 383.0	EN 1706 AC-46100	1
65	Outer Cover	Steel (Cold Rolled)	A109/A1008	EN 10130	1
68	Handle	Steel Pipe	A53 Type F	DIN 1615 St 33	1
71	Shaft Sleeve	Stainless Steel	S 30400	1.4301	1
76	Capacitor				1
77	Centrifugal Switch				1