

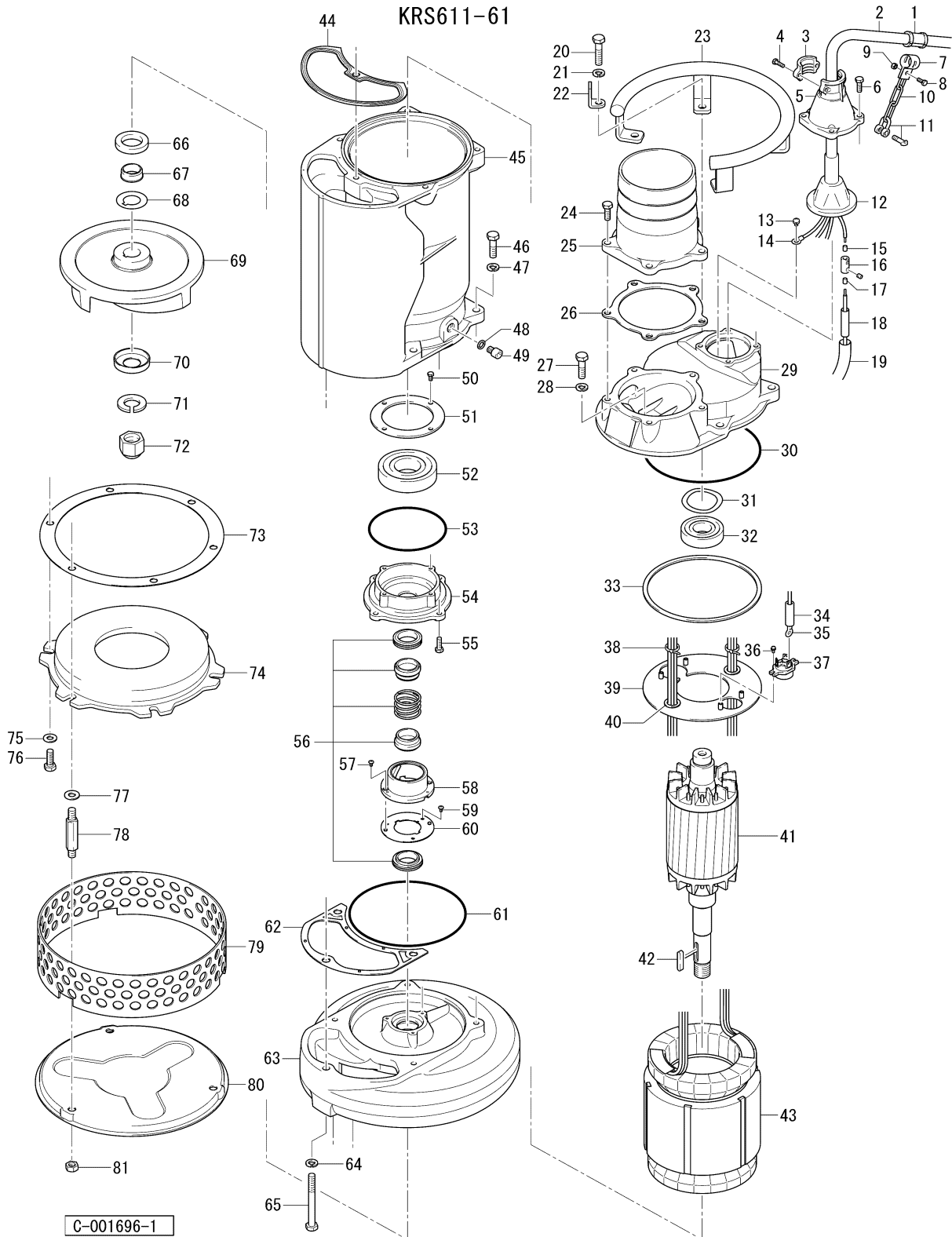
| PARTS LIST | | DEWATERING PUMP | | | 9/26/2023 | |
|------------|------------|------------------------------------------|-----|-----------------------|-----------|--------------------------------|
| ITEM | PART No. | DESCRIPTION | QTY | SIZE | MATERIAL | NOTES |
| 1 | 010-122-10 | Cable Clip Rubber | 1 | No.2 | NBR | |
| 2 | 001-517-37 | Cabtyre Cable Set (50') 60Hz (USA) | 1 | 2PNCTF4Cx8mm2 | KR-3 | |
| 3 | 070-107-18 | Cable Clamp | 1 | | FC150 | Included in ITEM#2 Cable Ass'y |
| 4 | 140-035-14 | Hex.Bolt | 2 | M6x20 | SUS304 | Included in ITEM#2 Cable Ass'y |
| 5 | 006-127-15 | Stuffing Box | 1 | No.3 | FC200 | Included in ITEM#2 Cable Ass'y |
| 6 | 140-055-10 | Hex.Bolt | 4 | M8x25 | SUS304 | |
| 7 | 010-120-18 | Cable Clip | 1 | No.2-1 | SPC | |
| 8 | 140-033-12 | Hex.Bolt | 1 | M6x16 | SUS304 | |
| 9 | 141-004-17 | Hex.Nut | 1 | M6 | SUS304 | |
| 10 | 095-000-99 | Chain | 1 | 4mm(3L)L=29.4 | SS | |
| 11 | 011-000-44 | Shackle | 1 | #5(for Clip) | SS | |
| 12 | 008-147-17 | Mould Cover | 1 | KR3-9 | CR | Included in ITEM#2 Cable Ass'y |
| 13 | 143-000-76 | Pan Screw (w/Spring Washer/Plain Washer) | 1 | M6x10 | SWRM | |
| 14 | 009-106-17 | Terminal | 1 | R-8-6 | CU | |
| 15 | 009-128-15 | Terminal | 3 | E (middle) | CU | |
| 16 | 009-118-12 | Terminal (C/W Screw) | 3 | d12x(d8xd8)x25l | C3604 | |
| 17 | 009-129-16 | Terminal | 3 | E (Small) | CU | |
| 18 | 002-135-14 | Heat Shrink Tube (Sold per meter) | m | A(d15x0.3t) | (Vm) | |
| 19 | 002-132-11 | Heat Shrink Tube (Sold per meter) | m | A4(d17x0.27t) | (Vm) | |
| 20 | 140-102-13 | Hex.Bolt | 4 | M12x55 | SUS304 | |
| 21 | 142-165-10 | Spring Washer | 4 | M12 | SUS304 | |
| 22 | 070-117-11 | L-Shape Fitting | 1 | 40x25x4.5t d13Hole | SPC | |
| 23 | 068-000-84 | Handle | 1 | JT1-4-11-KRS | SGPSS | |
| 24 | 140-076-17 | Hex.Bolt | 5 | M10x30 | SUS304 | |
| 25 | 032-254-13 | Hose Coupling | 1 | NPT-6(KRS) | FC | |
| 26 | 121-547-15 | Packing | 1 | PC190,150MM(KRS-611S) | NBR | * |
| 27 | 140-100-11 | Hex.Bolt | 1 | M12x45 | SUS304 | |
| 28 | 142-165-10 | Spring Washer | 1 | M12 | SUS304 | |
| 29 | 050-001-38 | Motor Bracket | 1 | | FC200 | |
| 30 | 122-153-13 | O-Ring | 1 | G-220(219.3xd5.7) | NBR | * |
| 31 | 142-199-13 | Wave Washer | 1 | 6208/6307 | SK5 | |
| 32 | 052-110-18 | Bearing | 1 | 6307ZCC3 | | |
| 33 | 121-002-13 | Packing (Protection Plate) | 1 | d208xd224x3 t | NBR | |
| 34 | 002-000-38 | Protection Tube | m | ESG-1U,#3/8,d9.8 | (Vm) | |
| 35 | 009-107-18 | Terminal | 3 | R-14-6 | CU | |
| 36 | 143-125-11 | Pan Screw (w/Spring Washer/Plain Wash | 2 | M4x14 | SWRM | |
| 37 | 053-002-39 | Motor Protector 208/230V-60Hz(USA) | 1 | KA315-JLXL00 | (B.C) | |
| 37 | 053-398-15 | Motor Protector 460V-60Hz(USA) | 1 | KA314-HLYL00 | (B.C) | |

* Indicates items included in set

| PARTS LIST | | DEWATERING PUMP | | | 9/26/2023 | |
|------------|------------|--------------------------------|------|-------------------------|------------------|-------------|
| ITEM | PART No. | DESCRIPTION | QTY | SIZE | MATERIAL | NOTES |
| 37 | 053-192-17 | Motor Protector 575V-60Hz(USA) | 1 | KA314-HKXL00 | (B.C) | |
| 38 | 181-000-03 | Cable Tie | 2 | T50S,158Lx4.7Bx35D | Nylon | |
| 39 | 058-000-52 | Lead Wire Protection Plate | 1 | d102xd224x1.6 t | SPHC | |
| 40 | 016-000-24 | Lead Wire Protection Bush | 2 | TM-NG-79-N | Synthetic Rubber | |
| 41 | 055-003-86 | Rotor | 1Set | | | |
| 42 | 147-021-18 | Impeller Key | 1 | 8x8x44L | SUS420 | |
| 43 | 056-012-14 | Stator 208/230V-60Hz(USA) | 1Set | | | |
| 43 | 056-012-15 | Stator 460V-60Hz(USA) | 1Set | | | |
| 43 | 056-012-58 | Stator 575V-60Hz(USA) | 1Set | | | |
| 44 | 121-002-01 | Packing (Water Way, Upp.) | 1 | JT1-4-11-KR6 | NBR | * |
| 45 | 064-001-60 | Motor Frame | 1 | | FC200 | |
| 46 | 140-100-11 | Hex.Bolt | 4 | M12x45 | SUS304 | |
| 47 | 142-165-10 | Spring Washer | 4 | M12 | SUS304 | |
| 48 | 121-247-12 | Packing | 1 | d12.3xd18x2t | Polyethylene | * |
| 49 | 035-113-18 | Oil Plug | 1 | M12x14 | SUS304 | |
| 50 | 140-030-35 | Hex.Bolt | 4 | M6x12 | SWRM | |
| 51 | 062-000-36 | Bearing Fixing Plate | 1 | #6310(PC124) | SS | |
| 52 | 052-001-09 | Bearing | 1 | 6310ZZC3(SRL) | | |
| 53 | 122-140-17 | O-Ring | 1 | G-145(144.4xd3.1) | NBR | * |
| 54 | 060-002-14 | Bearing Housing | 1 | | FC200 | |
| 55 | 140-055-49 | Hex.Bolt | 4 | M8x25 | SWRM | |
| 56 | 025-195-39 | Mechanical Seal | 1 | H-35 | SIC | |
| 57 | 143-070-23 | Pan Screw | 2 | M5x6 | SWRM | |
| 58 | 030-156-18 | Oil Lifter | 1 | H-35(A)(T) | Resin | |
| 59 | 143-070-10 | Pan Screw | 3 | M5x6 | SWRM | |
| 60 | 030-150-12 | Seal Stopper | 1 | H-35(A)(T) | SPCC | |
| 61 | 122-311-11 | O-Ring | 1 | 220xd3.5 | NBR | * |
| 62 | 121-129-17 | Packing (Water Way, Low.) | 1 | KRS-7.5/11(T) | NBR | * |
| 63 | 020-380-12 | Pump Casing | 1 | KRS(2)-B6/C6/D6(KRS-75) | FC200 | |
| 64 | 142-165-10 | Spring Washer | 1 | M12 | SUS304 | |
| 65 | 140-113-17 | Hex.Bolt | 1 | M12x120 | SUS304 | |
| 66 | 026-123-13 | Oil Seal | 1 | TC-406211 | NBR | |
| 67 | 071-128-47 | Shaft Sleeve | 1 | KRS-7.5/11KW | SUS403 | |
| 68 | 040-110-24 | Impeller Shim | | d32.5xd58x0.3t | SUS304 | |
| 69 | 021-543-34 | Impeller (60Hz) | 1 | KRS611-61 | FCD700 | |
| | | Impeller (50Hz) OPTION | 1 | KRS611-51 | FCD700 | 50Hz OPTION |
| 70 | 047-107-16 | Impeller Thread Protect.Cover | 1 | No.6(33) | SPC | |

| PARTS LIST | | DEWATERING PUMP | | | 9/26/2023 | |
|------------|------------|------------------------------|------|----------------------------|--------------|-------|
| ITEM | PART No. | DESCRIPTION | QTY | SIZE | MATERIAL | NOTES |
| 71 | 142-171-19 | Spring Washer | 1 | M30 | SUS304 | |
| 72 | 157-010-15 | Impeller Nut | 1 | M30,P3.5(B=41,Hex.Cap Nut) | S35C | |
| 73 | 120-112-14 | Packing (S.Cover) | | d260xd314x0.5t | Polyethylene | |
| 74 | 022-379-27 | Suction Cover | 1 | KRS-B6 | FC200 | |
| 75 | 142-129-12 | Plain Washer | 3 | M12 | SUS304 | |
| 76 | 140-097-14 | Hex.Bolt | 3 | M12x30 | SUS304 | |
| 77 | 142-129-12 | Plain Washer | 3 | M12 | SUS304 | |
| 78 | 144-122-24 | Stud Bolt | 3 | M12x107(25/17) | SUS403 | |
| 79 | 023-113-11 | Strainer | 1 | KRB-A6/B6 | SPC | |
| 80 | 049-115-26 | Bottom Plate | 1 | KRS-65.5 | SPC | |
| 81 | 141-007-10 | Hex.Nut | 3 | M12 | SUS304 | |
| | 173-004-00 | Packing O-Ring Set | 1Set | (Marked by *) | | |
| 26 | 121-547-15 | Packing (Hose Coupling) | 1 | PC190,150MM(KRS-611S) | NBR | * |
| 30 | 122-153-13 | O-Ring (M.Bracket/M.Frame) | 1 | G-220(219.3xd5.7) | NBR | * |
| 44 | 121-002-01 | Packing (Water Way, Upp.) | 1 | JT1-4-11-KR6 | NBR | * |
| 48 | 121-247-12 | Packing (Oil Plug) | 1 | d12.3xd18x2t | Polyethylene | * |
| 53 | 122-140-17 | O-Ring (Brg.Housing/M.Frame) | 1 | G-145(144.4xd3.1) | NBR | * |
| 61 | 122-311-11 | O-Ring (M.Frame/P.Casing) | 1 | 220xd3.5 | NBR | * |
| 62 | 121-129-17 | Packing (Water Way, Low.) | 1 | KRS-7.5/11(T) | NBR | * |
| | | Lubricant | | Turbine Oil VG32 2,300ml | | |

| PARTS LIST | | DEWATERING PUMP | | | 9/26/2023 | |
|------------|----------|-----------------|-----|------|-----------|-------|
| ITEM | PART No. | DESCRIPTION | QTY | SIZE | MATERIAL | NOTES |



* Indicates items included in set