

PARTS LIST		HI-HEAD DEWATERING PUMP			11/8/2019	
ITEM	PART No.	DESCRIPTION	QTY	SIZE	MATERIAL	NOTES
1	001-841-33	Cabletyre Cable Set (50') 60Hz (USA)	1	2PNCTF4Cx3.5mm2	KTZ	
2	010-121-19	Cable Clip Rubber	1	No.1	NBR	
3	010-120-18	Cable Clip	1	No.2-1	SPC	
4	141-004-59	Hex.Nut	1	M6	SWRM	
5	140-032-37	Hex.Bolt	1	M6x15	SWRM	
6	095-000-95	Chain	1	4mm(4L)	SS	replaces OLD# 095-131-18 (3L)
7	011-110-11	Shackle	1	6mm(M8,SC)	SS	
8	140-060-18	Hex.Bolt	4	M8x50	SUS304	
9	006-167-17	Stuffing Box	1	No.1-3	FC	
10	122-121-12	O-Ring	1	G-50(49.4xd3.1)	NBR	*
11	004-168-12	Cable Bush	1	No.2	CR	
12	008-156-19	Mould Cover	1	No.1-3	ADC	
13	009-123-10	Terminal	4	P-5.5	CU	
14	009-101-12	Terminal(C/W Screw)	4	d12x(d6.6xd6.6)x25l	C3604	
15	009-123-10	Terminal	4	P-5.5	CU	
16	002-129-15	Heat Shrink Tube (Sold per meter)	m	EVA(d14x1t)	(Vm)	
17	002-132-11	Heat Shrink Tube (Sold per meter)	m	A4(d17x0.27t)	(Vm)	
18	037-426-13	Center-Flange Discharge Pipe	1	LH35.5-51/61	FCD	
19	141-007-10	Hex.Nut	4	M12	SUS304	
20	142-165-10	Spring Washer	4	M12	SUS304	
21	121-373-18	Packing	1	P.C.133xd100x1t	THREE SHEET	*
22	144-000-46	Stud Bolt	4	M12x64(24/27)	SUS304	
23	140-074-15	Hex.Bolt	1	M10x20	SUS304	
24	142-164-19	Spring Washer	1	M10	SUS304	
25	070-103-10	L-Shape Fitting	1	KT-55	SPC	
26	143-086-22	Pan Screw (w/Spring Washer)	1	M4x8	SWRM	
27	009-164-13	Earth Terminal	1Set	3.5mm2x190L		
28	140-087-11	Hex.Bolt	4	M10x80	SUS304	
29	142-164-19	Spring Washer	4	M10	SUS304	
30	142-297-12	Seal Washer	4	SM-10	SUS+NBR	*
31	072-102-22	Eye Bolt	2	M12	SUS304	
32	144-583-14	Hex. Socket Cap Screw	4	M8x10	SUS304	
33	050-492-11	Motor Bracket	1		FC	
34	122-146-13	O-Ring	1	G-175(174.3xd5.7)	NBR	*
35	121-591-14	Packing	1	LH23.7/35.5(L)	NBR	*
36		Motor Protector 220V-60Hz(USA)	1			
36		Motor Protector 440V-60Hz(USA)	1			
37	143-016-18	Pan Screw	2	M4x12	SWRM	

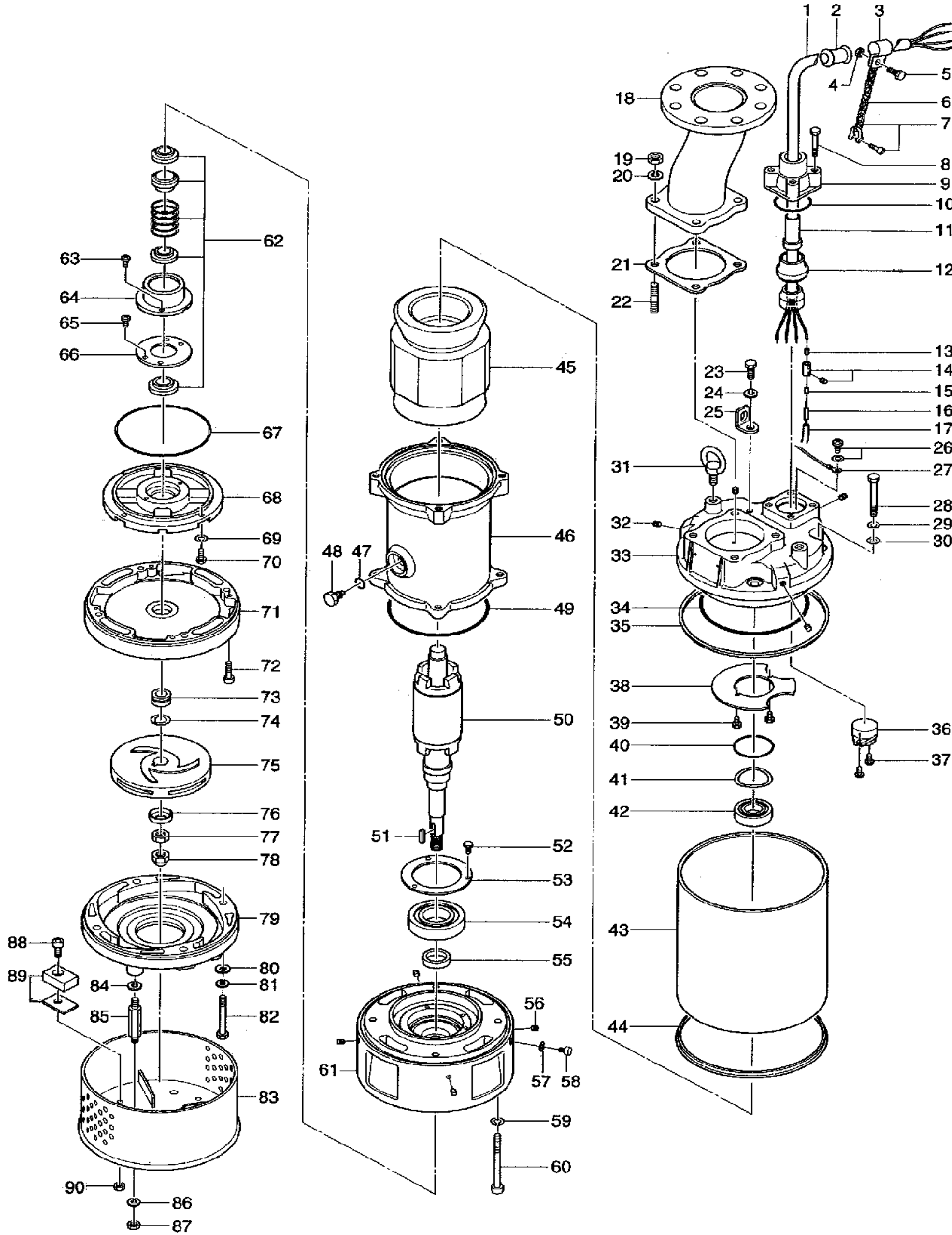
PARTS LIST		HI-HEAD DEWATERING PUMP			11/8/2019	
ITEM	PART No.	DESCRIPTION	QTY	SIZE	MATERIAL	NOTES
38	058-202-16	Lead Wire Protection Plate	1	d63xd140x1.2t	SPCC	
39	140-002-25	Hex.Bolt	2	M4x8	SWRM	
40	122-244-12	O-Ring	1	61.4xd3.1	NBR	*
41	142-197-11	Wave Washer	1	6305	SK5	
42	052-108-13	Bearing	1	6305ZZC3		
43	065-384-15	Outer Cover	1		SS	
44	121-591-14	Packing	1	LH23.7/35.5(L)	NBR	*
45		Stator 220V-60Hz(USA)	1Set			
45		Stator 440V-60Hz(USA)	1Set			
46	064-569-13	Motor Frame	1		FC	
47	122-259-10	O-Ring	1	12xd3	NBR	*
48	144-490-13	Stator Set Bolt	1	M12(B=21)	SUS403	
49	122-141-18	O-Ring	1	G-150(149.3xd5.7)	NBR	*
50	055-883-18	Rotor	1Set			
51	147-073-15	Impeller Key	1	5x5x22l	SUS420	
52	140-033-25	Hex.Bolt	3	M6x16	SWRM	
53	062-194-17	Bearing Fixing Plate	1	d82xd116x4.5t	SS	
54	052-111-19	Bearing	1	6308ZZC3		
55	026-171-32	Oil Seal	1	SC-30458	NBR	
56	144-583-14	Hex. Socket Cap Screw	4	M8x10	SUS304	
57	121-247-12	Packing	1	d12.3xd18x2t	PE	*
58	035-113-18	Oil Plug	1	M12x14	SUS304	
59	142-164-19	Spring Washer	4	M10	SUS304	
60	140-515-13	Hex.Socket Cap Bolt	4	M10x110	SUS304	
61	060-492-12	Bearing Housing	1		FC	
62	025-255-12	Mechanical Seal	1	H-25T	SiC	
63	143-070-23	Pan Screw	2	M5x6	SWRM	
64	030-143-12	Oil Lifter	1	H-25(A)(T)	Resin	
65	143-070-10	Pan Screw	2	M5x6	SWRM	
66	030-152-14	Seal Stopper	1	H-25(A)(T)	SPCC	
67	122-328-11	O-Ring	1	150xd3.1	NBR	*
68	029-396-18	Oil Casing	1	LH23.7/35.5-51/61	FC	
69	142-163-18	Spring Washer	4	M8	SUS304	
70	140-055-10	Hex.Bolt	4	M8x25	SUS304	
71	020-000-27	Upper Pump Casing (w/Labyrinth Ring)	1	LH23.7/35.5-51/61	FC	
72	140-270-13	Hex.Socket Cap Bolt	4	M8x30	SUS304	
73	040-106-27	Impeller Shim		d20.2xd30x0.3t	SUS304	
74	071-000-04	Shaft Sleeve	1	LH23.7/35.5-51/61	SUS403	

PARTS LIST		HI-HEAD DEWATERING PUMP				11/8/2019
ITEM	PART No.	DESCRIPTION	QTY	SIZE	MATERIAL	NOTES
75	021R1218	Impeller (60Hz)	1	LH35.5-61	HiCrFC	
76	047-104-26	Impeller Thread Protect.Cover	1	No.3B(18)	SUS304	
77	141-008-40	Hex.Nut	1	M16(H=10)	SUS304	
78	141-033-15	Hex.Cap Nut	1	M16	SUS304	
79	020-000-29	Lower Pump Casing (w/Mouth Ring)	1	LH35.5-51/61	FC	
80	142-164-19	Spring Washer	4	M10	SUS304	
81	142-115-15	Plain Washer	4	M10(D=18)	SUS304	
82	140-087-11	Hex.Bolt	4	M10x80	SUS304	
83	023-001-27	Strainer Stand	1	LH23.7/35.5-51/61	SS	interchangable with OLD part# 023-542-13
84	142-164-19	Spring Washer	4	M10	SUS304	
85	144-000-31	Stud Bolt	4	M10x94(20/14)	SUS410	
86	142-164-19	Spring Washer	4	M10	SUS304	
87	141-006-19	Hex.Nut	4	M10	SUS304	
88	140-268-18	Hex.Socket Cap Bolt	4	M8x20	SUS304	
89	043-100-17	Cathodic Protection Plate	4	DW(50x34x20t)	ZNP	
90	141-005-18	Hex.Nut	4	M8	SUS304	
A	048-000-54	Screwed Flange	1	NPT-3(JIS10K)	FC	
	173-000-18	Packing O-Ring Set	1Set	(Marked by *)		
10	122-121-12	O-Ring	1	G-50(49.4xd3.1)	NBR	*
21	121-373-18	Packing	1	P.C.133xd100x1t	THREE SHEET	*
30	142-297-12	Seal Washer (M.Bracket bolt)	4	SM-10	SUS+NBR	*
34	122-146-13	O-Ring	1	G-175(174.3xd5.7)	NBR	*
35	121-591-14	Packing	1	LH23.7/35.5(L)	NBR	*
40	122-244-12	O-Ring (Upp. Bearing)	1	61.4xd3.1	NBR	*
44	121-591-14	Packing	1	LH23.7/35.5(L)	NBR	*
47	122-259-10	O-Ring	1	12xd3	NBR	*
49	122-141-18	O-Ring	1	G-150(149.3xd5.7)	NBR	*
57	121-247-12	Packing	1	d12.3xd18x2t	PE	*
67	122-328-11	O-Ring	1	150xd3.1	NBR	*
		Lubricant		Turbine Oil VG32 1,650ml		

PARTS LIST		HI-HEAD DEWATERING PUMP			11/8/2019	
ITEM	PART No.	DESCRIPTION	QTY	SIZE	MATERIAL	NOTES

EXPLODED VIEW

LH35.5-51/61



C-00453-1



MODEL **LH35.5-61**

PARTS LIST		HI-HEAD DEWATERING PUMP				11/8/2019
ITEM	PART No.	DESCRIPTION	QTY	SIZE	MATERIAL	NOTES