

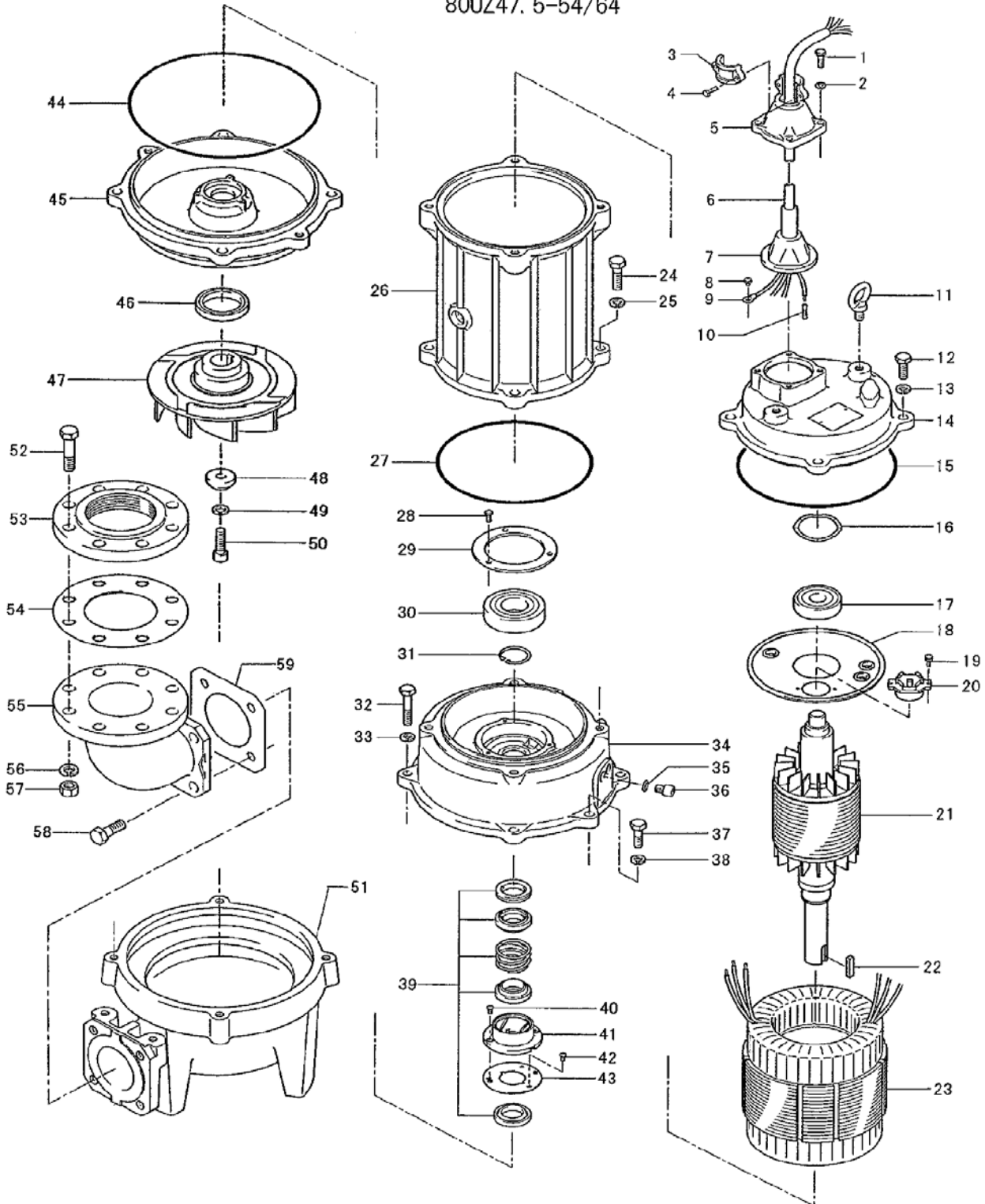
PARTS LIST		SEWER & WASTEWATER PUMP				10/26/2017
ITEM	PART No.	DESCRIPTION	QTY	SIZE	MATERIAL	NOTES
1	140-055-10	Hex.Bolt	4	M8x25	SUS304	
2	142-163-18	Spring Washer	4	M8	SUS304	
3	070-107-18	Cable Clamp	1		FC	included in ITEM# 6 Cable Ass'y
4	140-035-14	Hex.Bolt	2	M6x20	SUS304	included in ITEM# 6 Cable Ass'y
5	006-126-14	Stuffing Box	1	No.2	FC	included in ITEM# 6 Cable Ass'y
6	001-938-25	Cable Set (32') 60Hz (USA)	1	2PNCT4Cx5.5mm2	KR-2	
7	008-143-13	Mould Cover 60Hz (USA)	1	KR2-8	CR	included in ITEM# 6 Cable Ass'y
8	143-085-21	Pan Screw (w/Spring Washer)	1	M4x6	SWRM	
9	009-130-10	Terminal	1	R-5.5-4	CU	included in ITEM# 6 Cable Ass'y
10	009-276-19	Compression type Terminal	3	TMNB-5.5(Insulated)		included in ITEM# 6 Cable Ass'y
11	072-107-14	Eye Bolt	2	M16	SS	can substitute 072-107-27 (SUS304)
	142-399-15	Washer		d17xd29x0.1t	SUS304	
	142-400-10	Washer		d17xd29x0.3t	SUS304	
12	140-098-15	Hex.Bolt	4	M12x35	SUS304	
13	142-165-10	Spring Washer	4	M12	SUS304	
14	050-000-79	Motor Bracket	1		FC	
15	122-173-19	O-Ring	1	V-225(222.5xd6)	NBR	*
16	142-000-08	Wave Washer	1	6306B(d71xd59x4.0t)	SK5	
17	052-000-25	Bearing (w/O-ring)	1	AC-6306ZC3		
18	058-000-09	Lead Wire Protection Plate	1	d86xd224x1.6t	SPHC	
19	143-126-12	Pan Screw (w/Spring Washer/Plain Washer)	2	M4x12	SWRM	
20	053-456-12	Motor Protector 208/230V-60Hz(USA)	1	KA314-HLBL00	(H.C)	
20	053-485-10	Motor Protector 460V-60Hz(USA)	1	KA314-HKXL00	(H.C)	
21	055-000-68	Rotor	1Set			
22	147-067-16	Impeller Key	1	10x8x32l	SUS420	
23	056-C01-19	Stator 208/230V-60Hz(USA)	1Set			
23	056-C02-10	Stator 460V-60Hz(USA)	1Set			
24	140-100-11	Hex.Bolt	4	M12x45	SUS304	
25	142-165-10	Spring Washer	4	M12	SUS304	
26	064-000-12	Motor Frame	1		FC	
27	122-173-19	O-Ring	1	V-225(222.5xd6)	NBR	*
28	140-032-37	Hex.Bolt	3	M6x15	SWRM	
29	062-223-16	Bearing Fixing Plate	1	d92xd130x4.5t	SS	
30	052-112-10	Bearing	1	6309ZC3		
31	146-027-11	Retaining Ring	1	C45	SK5	
32	140-104-15	Hex.Bolt	4	M12x65	SUS304	
33	142-165-10	Spring Washer	4	M12	SUS304	
34	060-430-12	Bearing Housing	1		FC	

PARTS LIST		SEWER & WASTEWATER PUMP				10/26/2017
ITEM	PART No.	DESCRIPTION	QTY	SIZE	MATERIAL	NOTES
35	121-247-12	Packing	2	d12.3xd18x2t	PE	*
36	035-113-18	Oil Plug	2	M12x14	SUS304	
37	140-099-16	Hex.Bolt	2	M12x40	SUS304	
38	142-165-10	Spring Washer	2	M12	SUS304	
39	025-280-16	Mechanical Seal	1	H-35A	SiC+CCBN	
40	143-070-23	Pan Screw	2	M5x6	SWRM	
41	030-156-18	Oil Lifter	1	H-35(A)(T)	Resin	
42	143-070-10	Pan Screw	3	M5x6	SWRM	
43	030-150-12	Seal Stopper	1	H-35(A)(T)	SPCC	
44	122-159-19	O-Ring	1	G-280(279.3xd5.7)	NBR	*
45	029-187-14	Oil Casing	1	100-5.5/7.5-4B2	FC	
46	026-115-12	Oil Seal	1	TC-608212	NBR	
47	021M6219	Impeller (60Hz)	1	80UZ47.5-64	FC	
48	142-366-13	Impeller Washer	1	d20xd40x16l	SUS304	
49	142-000-22	Spring Washer	1	M12(CP)	SUS304	
50	140-303-16	Hex.Socket Cap Bolt	1	M12x40	SUS304	
51	020-002-49	Pump Casing	1	80UZ47.5-52/62	FC	interchangeable with OLD part# 020-A37-11
52	140-130-36	Hex.Bolt	8	M16x70	SWRM	included in BEND80x80 kit (specify ANSI or NPT)
53	048-000-54	Screwed Flange	1	NPT-3(JIS10K)	FC	included in BEND80x80 kit (specify ANSI or NPT)
54	121-105-33	Packing	1	JIS10Kx80mm	NR	included in BEND80x80 kit (specify ANSI or NPT)
55	037-169-15	Discharge Bend	1	80x80mm	FC	included in BEND80x80 kit (specify ANSI or NPT)
56	142-166-37	Spring Washer	8	M16	SWRH	included in BEND80x80 kit (specify ANSI or NPT)
57	141-008-11	Hex.Nut	8	M16	SUS304	included in BEND80x80 kit (specify ANSI or NPT)
58	140-124-11	Hex.Bolt	4	M16x40	SUS304	included in BEND80x80 kit (specify ANSI or NPT)
59	121-152-19	Packing	1	145mm2(P.C.145)	NBR	* included in BEND80x80 kit (specify ANSI or NPT)
	173-002-59	<b>Packing O-Ring Set</b>	1Set	(Marked by *)		
15	122-173-19	O-Ring (M.Bracket/M.Frame)	1	V-225(222.5xd6)	NBR	*
27	122-173-19	O-Ring (M.Frame/Brg.Housing)	1	V-225(222.5xd6)	NBR	*
35	121-247-12	Packing (Oil Plug)	2	d12.3xd18x2t	PE	*
44	122-159-19	O-Ring (Brg.Housing/O.Casing)	1	G-280(279.3xd5.7)	NBR	*
59	121-152-19	Packing (Discharge Bend)	1	145mm2(P.C.145)	NBR	*
		Lubricant		Turbine Oil VG32 5,200ml		

PARTS LIST		SEWER & WASTEWATER PUMP				10/26/2017
ITEM	PART No.	DESCRIPTION	QTY	SIZE	MATERIAL	NOTES

## EXPLODED VIEW

80UZ47.5-54/64



C-01243-1