

GENERATOR

PARTS CATALOG

MODEL : TPG4-4500HDX

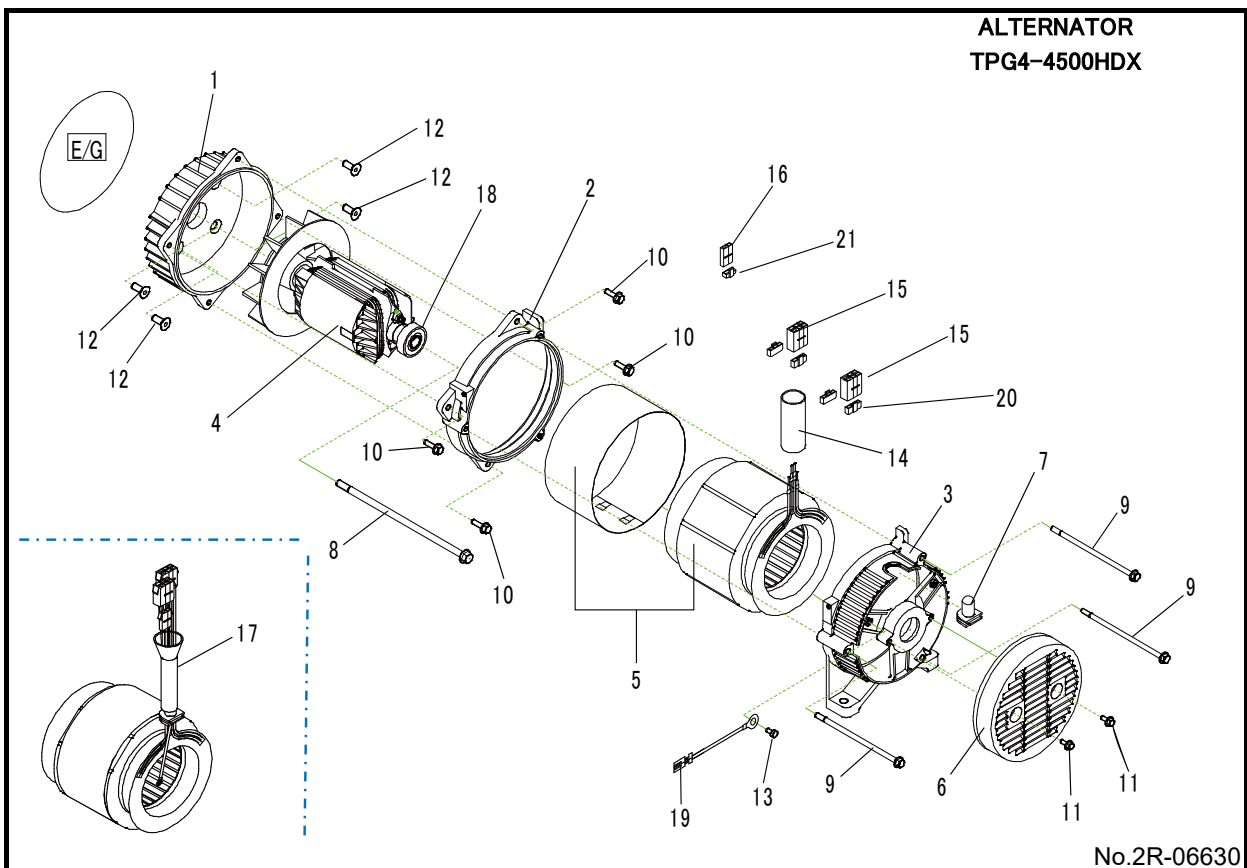
With CO SENSOR

3600VA 120/240V 60Hz

Ver.2

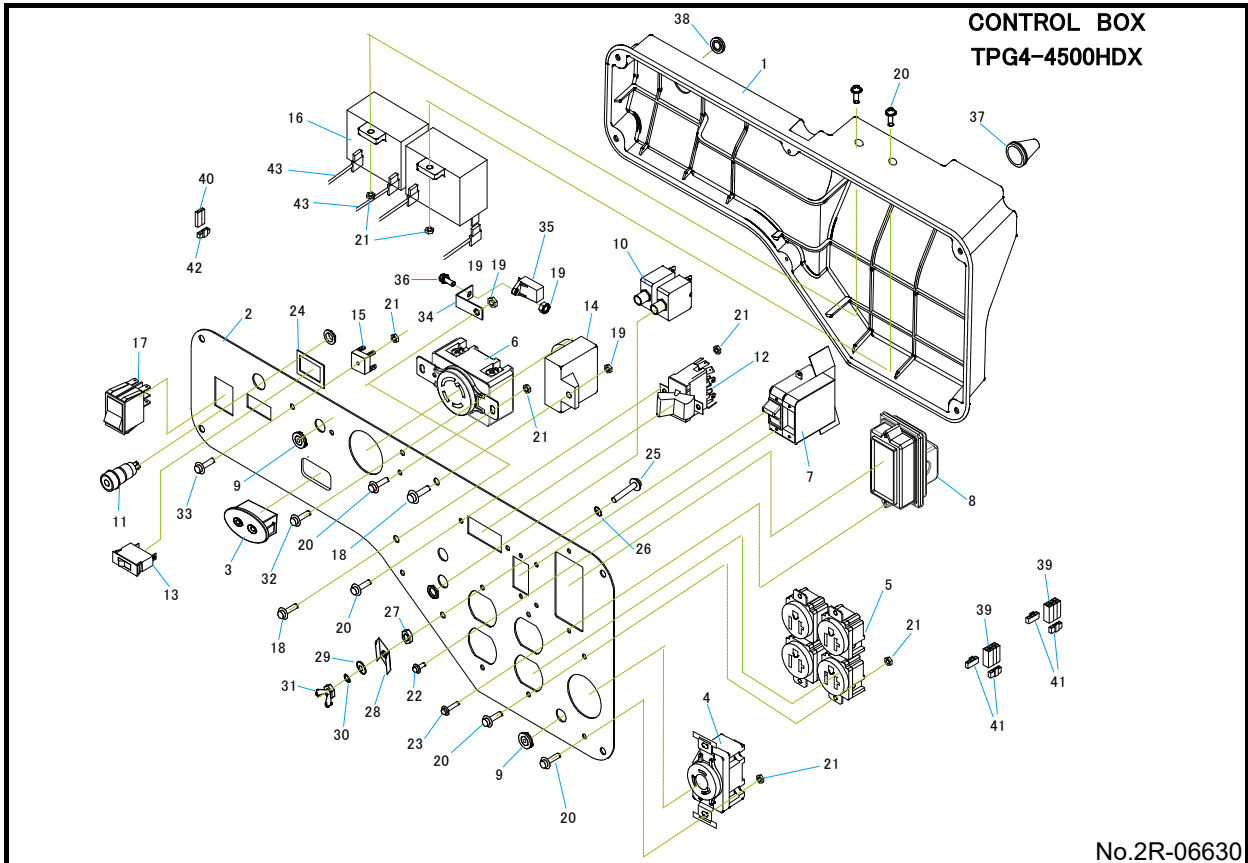
2022.8

**ALTERNATOR
TPG4-4500HDX**

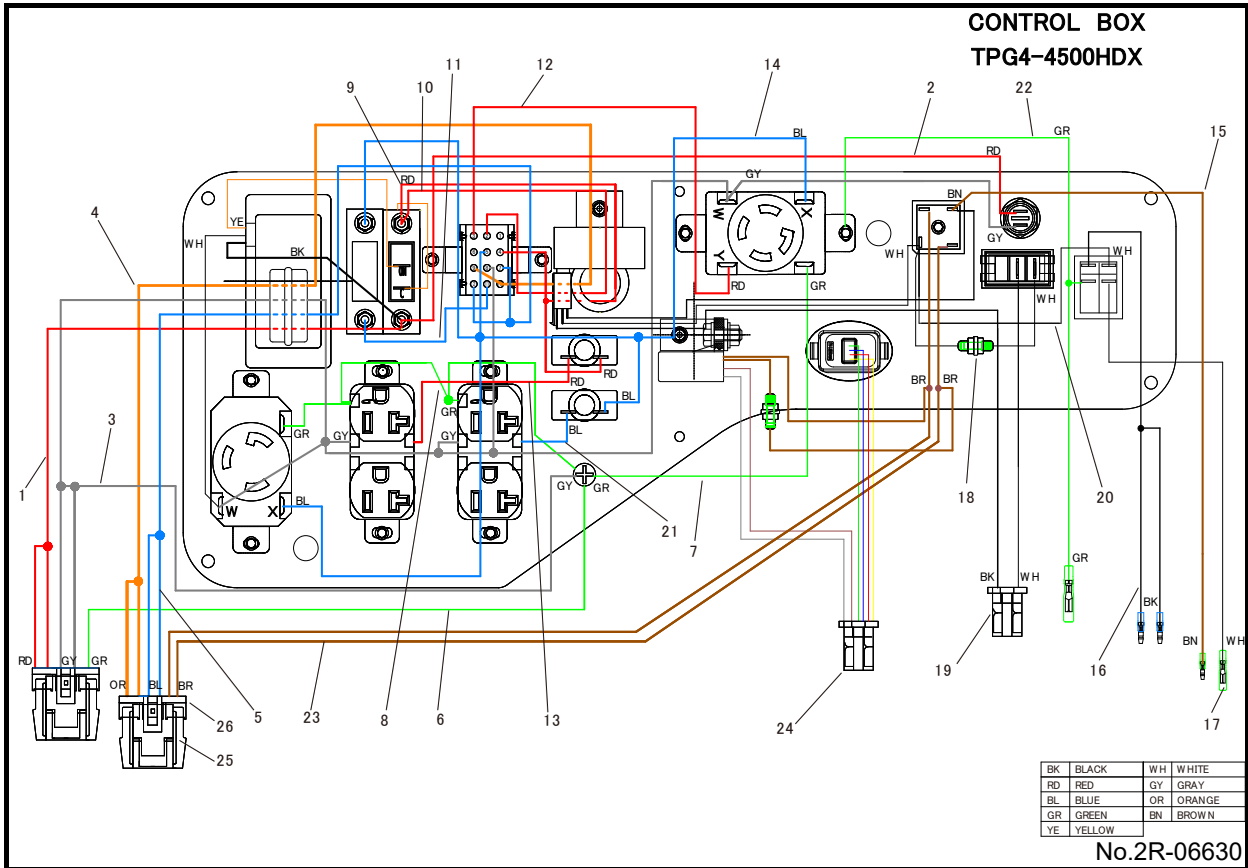


No.2R-06630

REF No.	Parts No.	Parts name	Q'ty	Price	Remarks
1	15311460000	BRACKET (1)	1		
2	15311462000	N-BRACKET	1		
3	15311461000	BRACKET (2)	1		
4	15200428000	ROTOR ASSY	1		
5	15250380000	STATOR ASSY	1		
6	15311471000	COVER,BRACKET	1		
7	15350583000	RUBBER BUSH	1		
8	15550154000	HEX,BOLT W/FLANGE(M10×1.25-235)	1		
9	15550152000	HEX,BOLT W/FLANGE(M6×1.0-150)	4		
10	15550476000	HEX,BOLT W/FLANGE(M8×1.0-20)	4		
11	15550210000	HEX,BOLT W/FLANGE(M5×0.8-12)	2		
12	15550248000	FLAT HEAD BOLT W/SOCKET(M8×1.25-20)	4		
13	19S00905007	CROSS RECESSED HEAD SCREW(M5-7)	1		
14	15350105000	TUBE,LEAD WIRE	1		
15	15400156000	CONNECTOR 6P	2		
16	15400160000	CONNECTOR 2P	1		
17	15250380100	STATOR COMP.	1		
18	15311780100	BALL BEARING	1		6205ZZ-CM
19	15501309000	HARNES GREEN	1		
20	15400162000	RETAINER 3P	4		
21	15400163000	RETAINER 2P	2		

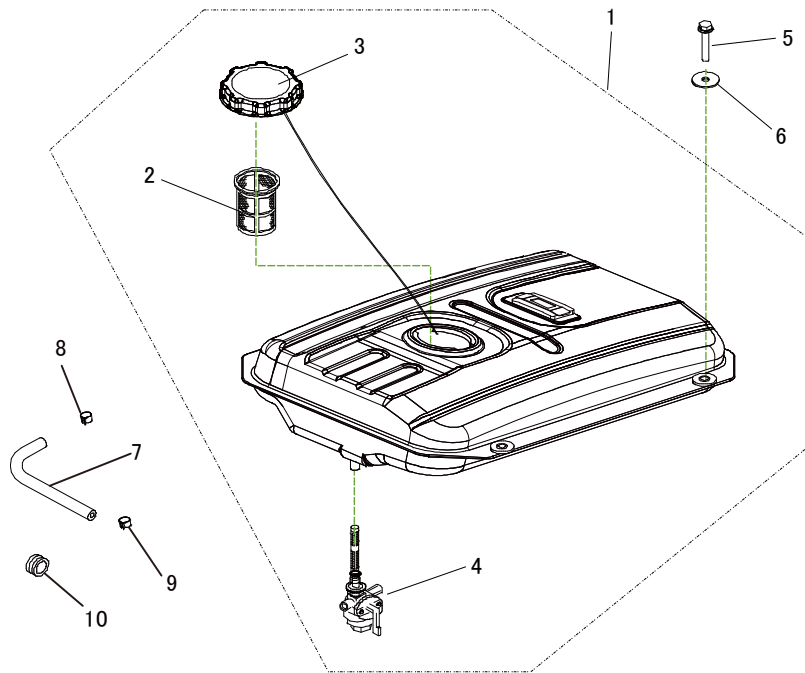


REF No.	Parts No.	Parts name	Q'ty	Price	Remarks
1	15350680000	CONTROL BOX	1		
2	15602449001	PANEL ASSY	1		
3	15400941000	CARBON MONOXIDE INDICATOR	1		
4	15400105000	RECEPTACLE 30A, 125V	1		
5	15400003000	RECEPTACLE 20A, 125V	2		
6	15400106000	RECEPTACLE 30A, 125/250V	1		
7	15400539000	CURCUIT BREAKER 15A	1		
8	15400559000	UNIT , GFCI	1		
9	15350337000	GROMMET	2		
10	15400171000	CURCUIT BREAKER 20A	2		
11	85111573300	NEON BRACKET , 125V	1		
12	15400143000	SWITCH,VOLTAGE SELECTOR	1		
13	15400108000	SWITCH,AUTO THROTTLE	1		
14	15400933000	CONTROL UNIT,AUTO THROTTLE	1		
15	15400389000	BRIDGE DIODE	1		
16	15400177000	CONDENSOR ASSY,18 μ F	2		
17	15400253000	ENGINE SWITCH	1		
18	19SF4906015	CROSS RECESSED HEAD SCREW (M6-15)	2		
19	19N10906000	HEX,NUT W/FLANGE M6	3		
20	19SF4904014	CROSS RECESSED HEAD SCREW (M4-14)	12		
21	19N10904000	HEX,NUT W/FLANGE M4	13		
22	15550246000	CROSS RECESSED HEAD SCREW (M3-5)	4		
23	19SF4903012	CROSS RECESSED HEAD SCREW (M3-12)	2		
24	15301082001	SWITCH SPACER	1		
25	19S00905025	CROSS RECESSED HEAD SCREW (M5 \times 25)	1		
26	19W50905000	TOOTH LOCK WASHER (M5)	1		



REF No.	Parts No.	Parts name	Q'ty	Price	Remarks
1	15502519000	HARNES RED	1		
2	15502520000	HARNES RED	1		
3	15502523000	HARNES GRAY	1		
4	15502530000	HARNES ORANGE	1		
5	15502567000	HARNES BLUE	1		
6	15502526000	HARNES GREEN	1		
7	15502528000	HARNES GREEN	1		
8	15502529000	HARNES GREEN	1		
9	15502566000	HARNES RED	1		
10	15502565000	HARNES RED	1		
11	15502563000	HARNES BLUE	1		
12	15502564000	HARNES RED	1		
13	15502532000	HARNES RED	1		
14	15502588000	HARNES BLUE	1		
15	15501169000	HARNES BROWN	1		
16	15503240000	HARNES BLACK	1		
17	15501166000	HARNES WHITE	1		
18	15501164000	HARNES, FUSE	1		
19	15502568000	HARNES, IDLE CONTROL	1		
20	15502589000	HARNES WHITE	1		
21	15502620000	HARNES BLUE	1		
22	15503241000	HARNES GREEN	1		
23	15503235000	HARNES BROWN	1		
24	15503237000	HARNES CO SENSOR	1		
25	15400157000	CONNECTOR 6P	2		
26	15400162000	RETAINER	4		

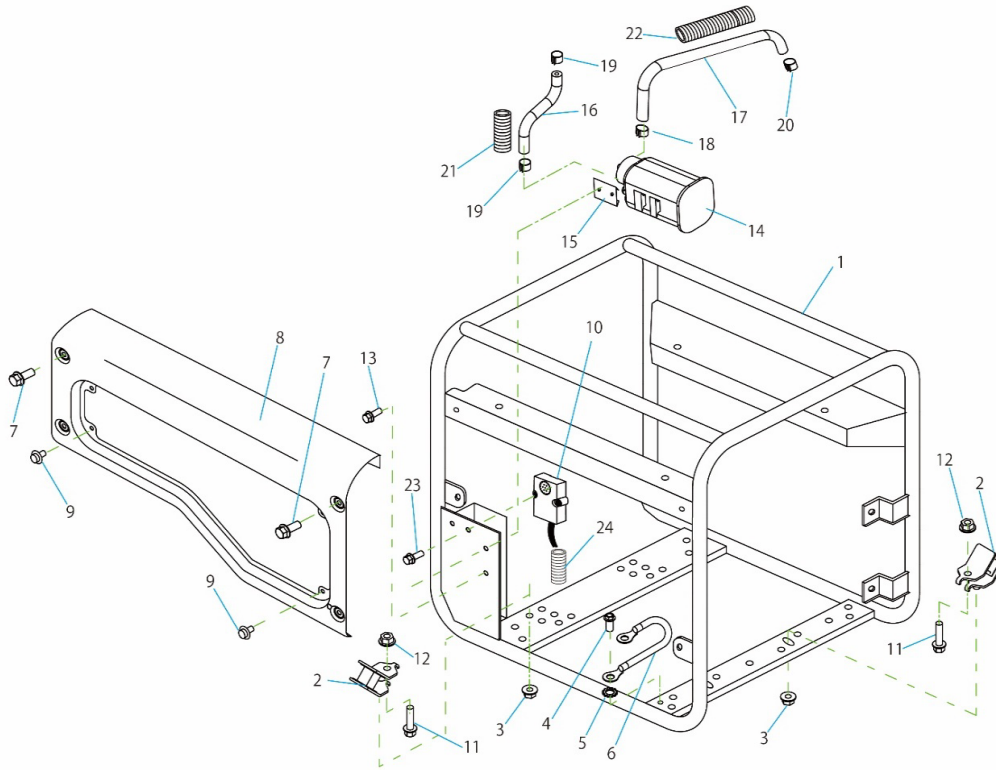
FUEL TANK
TPG4-4500HDX



No.2R-06630

REF No.	Parts No.	Parts name	Q'ty	Price	Remarks
1	15601800200	FUEL TANK (BLUE) COMP.	1		WITH LABEL ※EXCEPT SPEC LABEL
2	15350860000	FILTER COMP., FUEL	1		
3	15950267000	CAP COMP., FUEL FILLER WITH CHAIN	1		
4	15150135010	FUEL VALVE	1		
5	19B30906025	HEX,BOLT W/FLANGE (M6×1.0-25)	4		
6	19W00906025	WASHER,TANK CUSHION (M6×25,1.6t)	4		
7		CRIP B8, TUBE	1		HONDA PART
8	15301192000	CRIP,TUBE	1		
9	15350694002	TUBE,FUEL (210mm)	1		
10		RUBBER,FUEL TUBE	1		HONDA PART

FRAME
TPG4-4500HDX



No.2R-06630

REF No.	Parts No.	Parts name	Q'ty	Price	Remarks
1	15302616000	FRAME	1		WITH RUBBER
2	200900520	ANTI-VIBRATION RUBBER	4		
3	203200100	HEX,NUT W/FLANGE(M8X1.25)	4		
4	15550251000	HEX, BOLT W/FLANGE (M6×12)	1		
5	19W50906000	TOOTH LOCK WASHER(M6)	1		
6	15501130000	BONDING WIRE	1		
7	15550264000	BOLT, M6-16	4		
8	15601798000	CASE, CONTROL ASSY (BLUE)	1		
9	15550438000	CROSS RECESSED HEAD SCREW(M6-15)	4		
10	15400974000	CO SENSOR	1		
11	203000721	HEX, BOLT W/FLANGE (M10×45)	4		
12	203200021	HEX,NUT W/FLANGE(M10X1.25)	4		
13	15550587000	BOLT, M6-12	2		
14	15950138002	CARBON CANISTER (Q-18-16A)	1		
15	15950141000	STAY , CARBON CANISTER	1		
16	15350676002	TUBE , SURGE	1		
17	15350678002	TUBE , PURGE	1		
18	15302061000	CRIP , φ11.6	1		
19	15302060000	CRIP , φ10.0	2		
20	15302063000	CRIP , φ14.8	1		
21	15350703000	TUBE , CORRUGATE (320mm)	1		
22	15350702000	TUBE , CORRUGATE (800mm)	1		
23	15550613000	SCREW(M5-20)	2		
24	15350882000	TUBE (120mm)	1		