

PARTS LIST		WASTEWATER PUMP			6/6/2022	
ITEM	PART No.	DESCRIPTION	QTY	SIZE	MATERIAL	NOTES
1	009-127-14	Terminal	2	R-1.25-4	CU	
2	140-427-17	Hex.Bolt (w/Plain Washer)	2	M5x15	SUS304	
3	003-190-10	Grand	1		SUS316	
4	001-003-29	Cabtyre Cable Set (32') 60Hz (USA)	1	VCT2Cx1.25mm2	LB	
5	009-104-15	Solderless Terminal	2	TMVB-1.25	CU	
6	009-131-11	Terminal	7	R-5.5-6	CU	
7	140-056-11	Hex.Bolt	8	M8x30	SUS304	
8	142-163-18	Spring Washer	8	M8	SUS304	
9	006-126-14	Stuffing Box 60Hz(USA)	2	No.2	FC	included in ITEM# 12 Cable Ass'y included in ITEM# 16 Cable Ass'y
10	070-107-18	Cable Clamp 60Hz(USA)	2		FC	included in ITEM# 12 Cable Ass'y included in ITEM# 16 Cable Ass'y
11	140-035-14	Hex.Bolt	4	M6x20	SUS304	included in ITEM# 12 Cable Ass'y included in ITEM# 16 Cable Ass'y
12	001-937-24	Cabtyre Cable Set (32') 60Hz(USA)	1	2PNCT3Cx3.5mm2	KR-2	
13	008-154-17	Mould Cover 60Hz(USA)	1	KR2-10	CR	included in ITEM# 12 Cable Ass'y
14	009-275-18	Compression type Terminal 60Hz(USA)	3	TGNB-5.5(Insulated)	CU	included in ITEM# 12 Cable Ass'y
15	009-275-18	Compression type Terminal 208/230V-60Hz(USA)	3	TGNB-5.5(Insulated)	CU	included in ITEM# 16 Cable Ass'y
16	001-936-23	Cabtyre Cable Set (32') 60Hz(USA)	1	2PNCT4Cx3.5mm2	KR-2	
17	008-142-12	Mould Cover 60Hz(USA)	1	KR2-7	CR	included in ITEM# 16 Cable Ass'y
18	143-085-21	Pan Screw (w/Spring Washer)	1	M4x6	SWRM	
19	009-122-19	Terminal 60Hz(USA)	1	R-3.5-4	CU	included in ITEM# 16 Cable Ass'y
20	072-107-27	Eye Bolt	2	M16	SUS304	
21	142-399-15	Washer		d17xd29x0.1t	SUS304	
	142-400-10	Washer		d17xd29x0.3t	SUS304	
22	140-098-15	Hex.Bolt	4	M12x35	SUS304	
23	142-165-10	Spring Washer	4	M12	SUS304	
24	050-000-01	Motor Bracket	1		FC	
25	122-173-19	O-Ring	1	V-225(222.5xd6)	NBR	*
26	142-198-12	Wave Washer	1	6306	SK5	
27	052-000-25	Bearing (w/O-ring)	1	AC-6306ZZC3		
28	058-000-09	Lead Wire Protection Plate	1	d86xd224x1.6t	SPHC	
29	055-000-14	Rotor	1Set			
30	147-165-15	Impeller Key	1	12x8x40	S42J2	
31	056-010-39	Stator 208/230V-60Hz(USA)	1Set			
31	056-010-40	Stator 460V-60Hz(USA)	1Set			
	053-309-19	Motor Protector	3	9700K-46-215	(H)	
	181-000-03	Cable Tie	3	T50S,158Lx4.7Bx35D	Nylon	
32	140-100-11	Hex.Bolt	4	M12x45	SUS304	
33	142-165-10	Spring Washer	4	M12	SUS304	
34	064-000-71	Motor Frame	1		FC200	

PARTS LIST		WASTEWATER PUMP			6/6/2022	
ITEM	PART No.	DESCRIPTION	QTY	SIZE	MATERIAL	NOTES
35	122-173-19	O-Ring	1	V-225(222.5xd6)	NBR	*
36	140-000-06	Hex.Bolt (w/Spring Washer/Plain Washer)	3	M6x12	SWCH	
37	052-001-09	Bearing	2	6310ZC3(SRL)		
38	146-029-13	Retaining Ring	1	C50	SK5	
39	060-000-03	Bearing Housing	1		FC	
40	121-247-12	Packing	2	d12.3xd18x2t	Polyethylene	*
41	035-113-18	Oil Plug	2	M12x14	SUS304	
42	140-099-16	Hex.Bolt	2	M12x40	SUS304	
43	142-165-10	Spring Washer	2	M12	SUS304	
44	140-104-15	Hex.Bolt	4	M12x65	SUS304	
45	142-165-10	Spring Washer	4	M12	SUS304	
46	025-001-13	Mechanical Seal	1	H-40X(ROHS)(E)	SIC	
47	143-070-23	Pan Screw	2	M5x6	SWRM	
48	030-141-10	Oil Lifter	1	H-40(T)	Resin	
49	143-070-10	Pan Screw	3	M5x6	SWRM	
50	030-149-18	Seal Stopper	1	H-40/45	SPCC	
51	122-159-19	O-Ring	1	G-280(279.3xd5.7)	NBR	*
52	029-191-11	Oil Casing	1	110-CE2	FC	
53	122-159-19	O-Ring	1	G-280(279.3xd5.7)	NBR	*
54	026-117-14	Oil Seal	1	TC-709212	NBR	
55	021-N38-17	Impeller (60Hz)	1	100BZ411-62	FC	
56	142-202-10	Impeller Fixing Washer	1	d13xd50x15t	SUS304	
57	144-530-16	Hex.Socket Set Screw	2	M6x15	SUS304	
58	140-304-17	Hex.Socket Cap Bolt	1	M12x45	SUS304	
59	142-000-22	Spring Washer	1	M12(CP)	SUS304	
60	046-107-13	Air Release Valve	1	PT-1/2	Nylon	
61	020-628-15	Pump Casing	1	110-UB4	FC	
62	120-102-11	Packing (S.Cover)		d301xd328x0.3t	Polyethylene	
63	022-568-12	Suction Cover	1	110-UB4	FC	
64	142-165-10	Spring Washer (for Guide-Rail Fitting)	6	M12	SUS304	
65	140-097-14	Hex.Bolt (for Guide-Rail Fitting)	6	M12x30	SUS304	
64	142-165-10	Spring Washer	3	M12	SUS304	
65	140-097-14	Hex.Bolt	3	M12x30	SUS304	
67	142-165-10	Spring Washer	3	M12	SUS304	
68	140-097-14	Hex.Bolt	3	M12x30	SUS304	
66	023-288-18	Pump Stand	3	55/110-CE2	FC	
69	142-165-10	Spring Washer	3	M12	SUS304	



MODEL 100BZ411-64

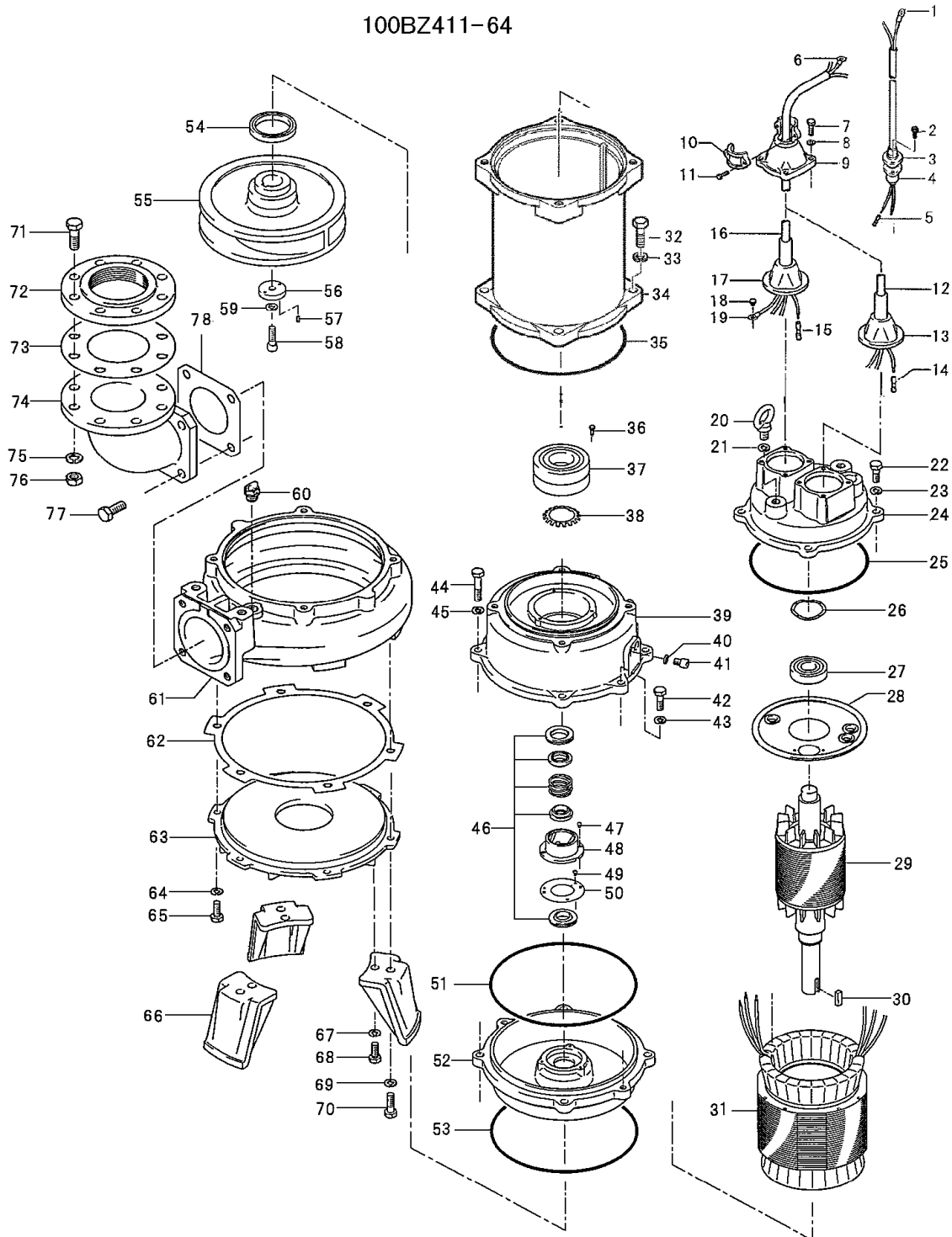
PARTS LIST		WASTEWATER PUMP			6/6/2022	
ITEM	PART No.	DESCRIPTION	QTY	SIZE	MATERIAL	NOTES
70	140-099-16	Hex.Bolt	3	M12x40	SUS304	
	173-001-22	Packing O-Ring Set	1Set	(Marked by *)		
25	122-173-19	O-Ring (M.Bracket/M.Frame)	1	V-225(222.5xd6)	NBR	*
35	122-173-19	O-Ring (M.Frame/Brg.Housing)	1	V-225(222.5xd6)	NBR	*
40	121-247-12	Packing (Oil Plug)	2	d12.3xd18x2t	Polyethylene	*
51	122-159-19	O-Ring (Brg.Housing/O.Casing)	1	G-280(279.3xd5.7)	NBR	*
53	122-159-19	O-Ring (O.Casing/P.Casing)	1	G-280(279.3xd5.7)	NBR	*
78	121-153-10	Packing (Discharge Bend)	1	160mm2(P.C.165)	NBR	*
		Lubricant		Turbine Oil VG32 6,500ml		*

* Indicates items included in set

PARTS LIST		WASTEWATER PUMP			6/6/2022	
ITEM	PART No.	DESCRIPTION	QTY	SIZE	MATERIAL	NOTES

EXPLODED VIEW

100BZ411-64



C-01447-2