

PARTS LIST		DEWATERING PUMP			9/26/2023	
ITEM	PART No.	DESCRIPTION	QTY	SIZE	MATERIAL	NOTES
1	010-124-15	Cable Clip Rubber	1	No.3	NBR	
2	001-508-35	Cabtyre Cable Set (50') 60Hz (USA)	1	2PNCTF4Cx2mm2	KR-2	
3	070-107-18	Cable Clamp	1		FC150	included in ITEM# 2 Cable Ass'y
4	140-035-14	Hex.Bolt	2	M6x20	SUS304	included in ITEM# 2 Cable Ass'y
5	006-126-14	Stuffing Box	1	No.2	FC200	included in ITEM# 2 Cable Ass'y
6	140-055-10	Hex.Bolt	4	M8x25	SUS304	
7	010-120-18	Cable Clip	1	No.2-1	SPC	
8	140-033-12	Hex.Bolt	1	M6x16	SUS304	
9	141-004-17	Hex.Nut	1	M6	SUS304	
10	095-000-99	Chain	1	4mm(3L)L=29.4	SS	
11	011-000-44	Shackle	1	#5(for Clip)	SS	
12	008-142-12	Mould Cover	1	KR2-7	CR	included in ITEM# 2 Cable Ass'y
13	143-085-21	Pan Screw (w/Spring Washer)	1	M4x6	SWRM	
14	009-116-10	Terminal	1	R-2-4	CU	
15	009-126-13	Terminal	3	1.25mm2/2mm2	Nylon	
16	140-081-15	Hex.Bolt	4	M10x50	SUS304	
17	142-164-19	Spring Washer	4	M10	SUS304	
18	070-117-11	L-Shape Fitting	1	40x25x4.5t d13Hole	SPC	
19	068-000-82	Handle	1		SGP+SS	
20	140-076-17	Hex.Bolt	4	M10x30	SUS304	
21	032-161-12	Hose Coupling	1	NPT-3(GH-22L)	FC	
22	121-141-15	Packing	1	KRB-3/4	NBR	*
23	050-001-58	Motor Bracket	1		FC200	
24	122-276-13	O-Ring	1	160xd3.1	NBR	*
25	142-196-10	Wave Washer	1	6205/6304	SK5	
26	052-107-12	Bearing	1	6304ZZC3		
27	053-241-25	Motor Protector 208/230V-60Hz(USA)	1	KA313-GGXL110	(T.C)	
27	053-422-19	Motor Protector 460V-60Hz(USA)	1	KA313-GBXL103	(T.C)	
27	053-000-62	Motor Protector 575V-60Hz(USA)	1	KA313-GBYL102	(T.C)	
28	143-135-14	Pan Screw (w/Spring Washer/Plain Washer)	2	M4x10	SWRM	
30	002-135-14	Heat Shrink Tube (Sold per meter)	m	A(d15x0.3t)	(V/m)	
31	058-000-59	Lead Wire Protection Plate	1	d70xd135x5t	Nylon	
32	055-004-26	Rotor	1Set			
33	147-023-10	Impeller Key	1	7x7x32L	SUS420	
34	181-104-12	Cable Tie	2	T18R(100Lx2.5Bx22D)		
35	056-012-05	Stator 208/230V-60Hz(USA)	1Set			
35	056-012-06	Stator 460V-60Hz(USA)	1Set			
35	056-012-07	Stator 575V-60Hz(USA)	1Set			

* Indicates items included in set

PARTS LIST		DEWATERING PUMP			9/26/2023	
ITEM	PART No.	DESCRIPTION	QTY	SIZE	MATERIAL	NOTES
36	121-002-33	Packing (Water Way, Upp.)	1	JT1-4-2.2-KRS	NBR	*
37	064-001-86	Motor Frame	1		FC200	
38	140-099-16	Hex.Bolt	4	M12x40	SUS304	
39	121-247-12	Packing	1	d12.3xd18x2t	Polyethylene	*
40	035-113-18	Oil Plug	1	M12x14	SUS304	
41	140-030-19	Hex.Bolt	3	M6x12	SUS304	
42	062-000-42	Bearing Fixing Plate	1	d70xd106x3.2t(3Hole)	SPCC	
43	052-110-18	Bearing	1	6307ZZC3		
44	122-135-19	O-Ring	1	G-120(119.4xd3.1)	NBR	*
45	060-002-32	Bearing Housing	1		FC200	
46	140-054-19	Hex.Bolt	4	M8x20	SUS304	
47	025-194-38	Mechanical Seal	1	H-30	SIC	
48	143-070-23	Pan Screw	2	M5x6	SWRM	
49	030-142-11	Oil Lifter	1	H-30(A)(T)	Resin	
50	143-070-10	Pan Screw	3	M5x6	SWRM	
51	030-151-13	Seal Stopper	1	H-30(A)(T)	SPCC	
52	122-310-10	O-Ring	1	200xd3.5	NBR	*
53	121-128-16	Packing (Water Way, Low.)	1	KRS-3.7/5.5	NBR	*
54	020-379-18	Pump Casing	1	KRS(2)-B3/B4(KRS-556)	FC200	
55	026-109-13	Oil Seal	1	TC-355511	NBR	
56	071-127-46	Shaft Sleeve	1	KRS-3.7/5.5KW	SUS403	
57	040-109-20	Impeller Shim		d27.5xd52x0.3t	SUS304	
58	021-535-33	Impeller (60Hz)	1	KRS33.7-61	FCD700	
		Impeller (50Hz) OPTION	1	KRS33.7-51	FCD700	50Hz OPTION
59	047-106-15	Impeller Thread Protect.Cover	1	No.5(26)	SPC	
60	142-170-18	Spring Washer	1	M24	SUS304	
61	157-006-18	Impeller Nut	1	M24,P3(B=35,Hex.Cap Nut)	S35C	
62	120-129-14	Packing (S.Cover)		d230xd288x0.5t	Polyethylene	
63	022-366-21	Suction Cover	1	KRS-B3	FC200	
64	142-129-12	Plain Washer	3	M12	SUS304	
65	140-096-13	Hex.Bolt	3	M12x25	SUS304	
66	142-129-12	Plain Washer	3	M12	SUS304	
67	144-121-23	Stud Bolt	3	M12x86(20/16)	SUS403	
68	023-212-11	Strainer	1	KRS-B3/B4	SPC	
69	049-134-18	Bottom Plate	1	KRS-C4/A4	SPC	
70	141-007-10	Hex.Nut	3	M12	SUS304	

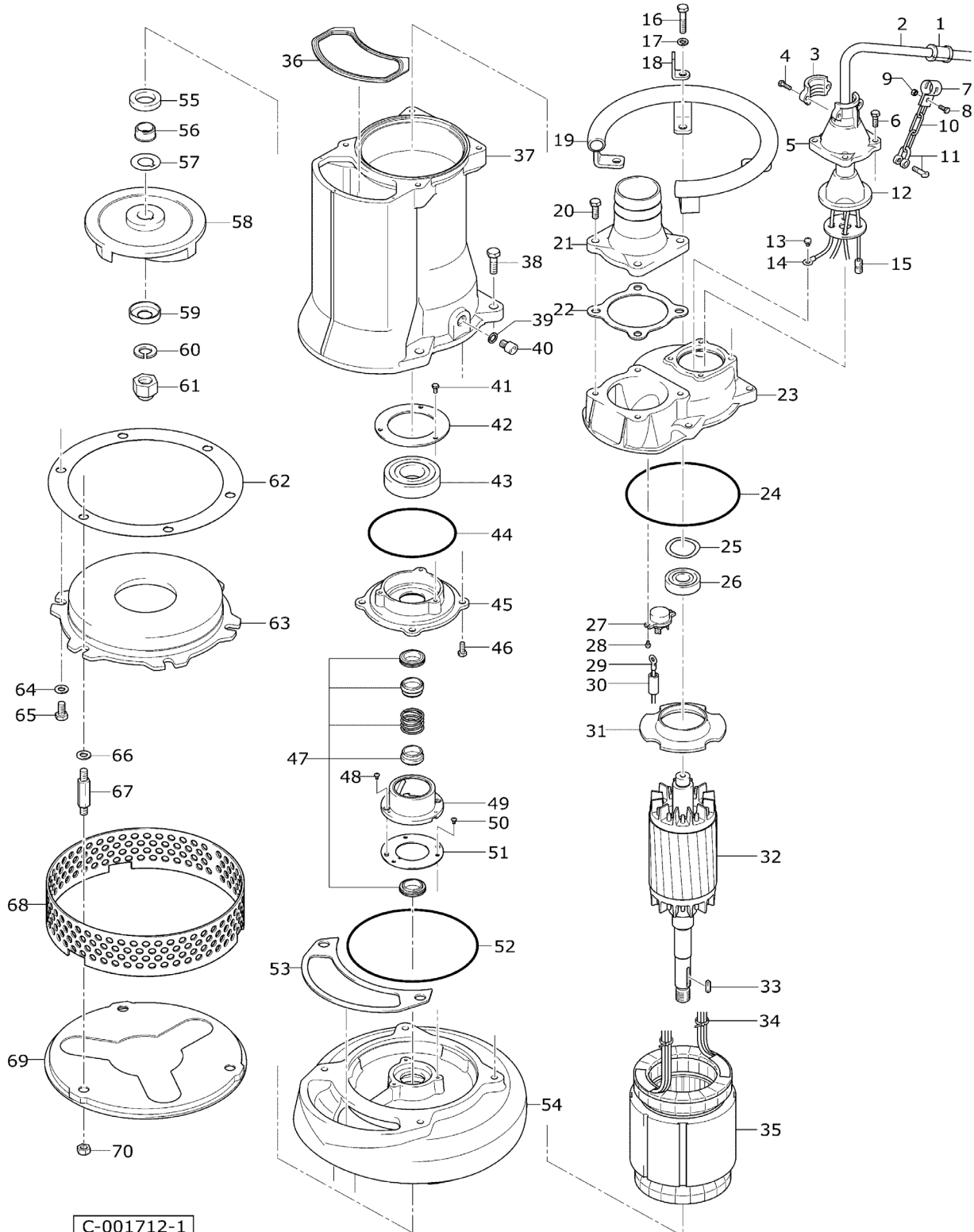


MODEL **KRS33.7-61**

PARTS LIST		DEWATERING PUMP				9/26/2023
ITEM	PART No.	DESCRIPTION	QTY	SIZE	MATERIAL	NOTES
	173-004-24	Packing O-Ring Set	1Set	(Marked by *)		
22	121-141-15	Packing (Hose Coupling)	1	KRB-3/4	NBR	*
24	122-276-13	O-Ring (M.Bracket/M.Frame)	1	160xd3.1	NBR	*
36	121-002-33	Packing (Water Way, Upp.)	1	JT1-4-2.2-KRS	NBR	*
39	121-247-12	Packing (Oil Plug)	1	d12.3xd18x2t	Polyethylene	*
44	122-135-19	O-Ring (M.Frame/Brg.Housing)	1	G-120(119.4xd3.1)	NBR	*
52	122-310-10	O-Ring (M.Frame/P.Casing)	1	200xd3.5	NBR	*
53	121-128-16	Packing (Water Way, Low.)	1	KRS-3.7/5.5	NBR	*
		Lubricant		Turbine Oil VG32 1,850ml		

PARTS LIST		DEWATERING PUMP			9/26/2023	
ITEM	PART No.	DESCRIPTION	QTY	SIZE	MATERIAL	NOTES

KRS33.7-61



* Indicates items included in set