



## LH - SERIES DEWATERING PUMP

## SPECIFICATIONS

### ■ FEATURES

1. Semi-open, high chrome iron impeller with replaceable / adjustable high chrome Iron wear rings, increases wear resistance, when pumpage contains abrasive particles.
2. Double inside mechanical seals with silicon carbide faces, (both top and bottom) running in an oil filled chamber and further protected by a lip seal running against a replaceable, 430 stainless steel shaft sleeve, provides for the most durable seal design available.
3. Highly efficient, continuous duty air filled, copper wound motor with class B, F insulation minimizes the cost of operation.
4. Built in thermal & amperage sensing protector prevents motor failure due to

overloading or accidental run -dry conditions.

5. Double shielded, permanently lubricated, high temperature C3 ball bearings rated for a B-10 life of 60,000 hours, extend operational life.
6. Top discharge, flow-thru design enables operation at low water levels for extended periods.

### ■ APPLICATIONS

1. Commercial, industrial wastewater and construction site drainage.
2. Effluent transfer.
3. Decorative waterfalls and fountains.
4. Raw water supply from rivers or lakes.



### ■ SPECIFICATIONS

Discharge Size  
 Horsepower Range  
 Performance Range Capacity  
 Head  
 Maximum water temperature  
 Materials of Construction  
 Casing  
 Impeller  
 Shaft  
 Motor Frame  
 Fasteners  
 Seal Pressure Relief Ports  
 Mechanical Seal  
 Elastomers  
 Impeller Type  
 Solids Handling Capability  
  
 Bearings  
  
 Motor Nomenclature  
 Type, Speed, Hz.  
 Voltage, Phase  
 Insulation  
  
 Accessories  
  
 Operational Mode

### ■ STANDARD

3" ~ 8" NPT (80 mm ~ 200 mm)  
 4 ~ 150 HP. (3 ~ 110 Kw)  
 26.4 ~ 1717.0 GPM. (0.1 ~ 6.5 m<sup>3</sup>/min)  
 20.5 ~ 604.0 Ft. (6.25 ~ 184.1m)  
 104° F. (40° C.)  
  
 Cast Iron , Ductile Cast Iron  
 High Chrome Cast Iron  
 420 Stainless Steel  
 Cast Iron  
 304 Stainless Steel  
 50 - 150HP (37 - 110 kW)  
 Silicon Carbide  
 NBR (Nitrile Butadiene Rubber)  
 Semi-open, solids handling.  
 0.236 - 0.787" (6 - 20mm)  
  
 Prelubricated, Double Shielded  
  
 Air Filled, 3600 RPM, 60 Hz.  
 208/230/460/575 V., 3 Phase.  
 Class B , F  
  
 Submersible Power Cable  
 50 - 65' (15 - 20m)  
  
 Manual

### ■ OPTIONS

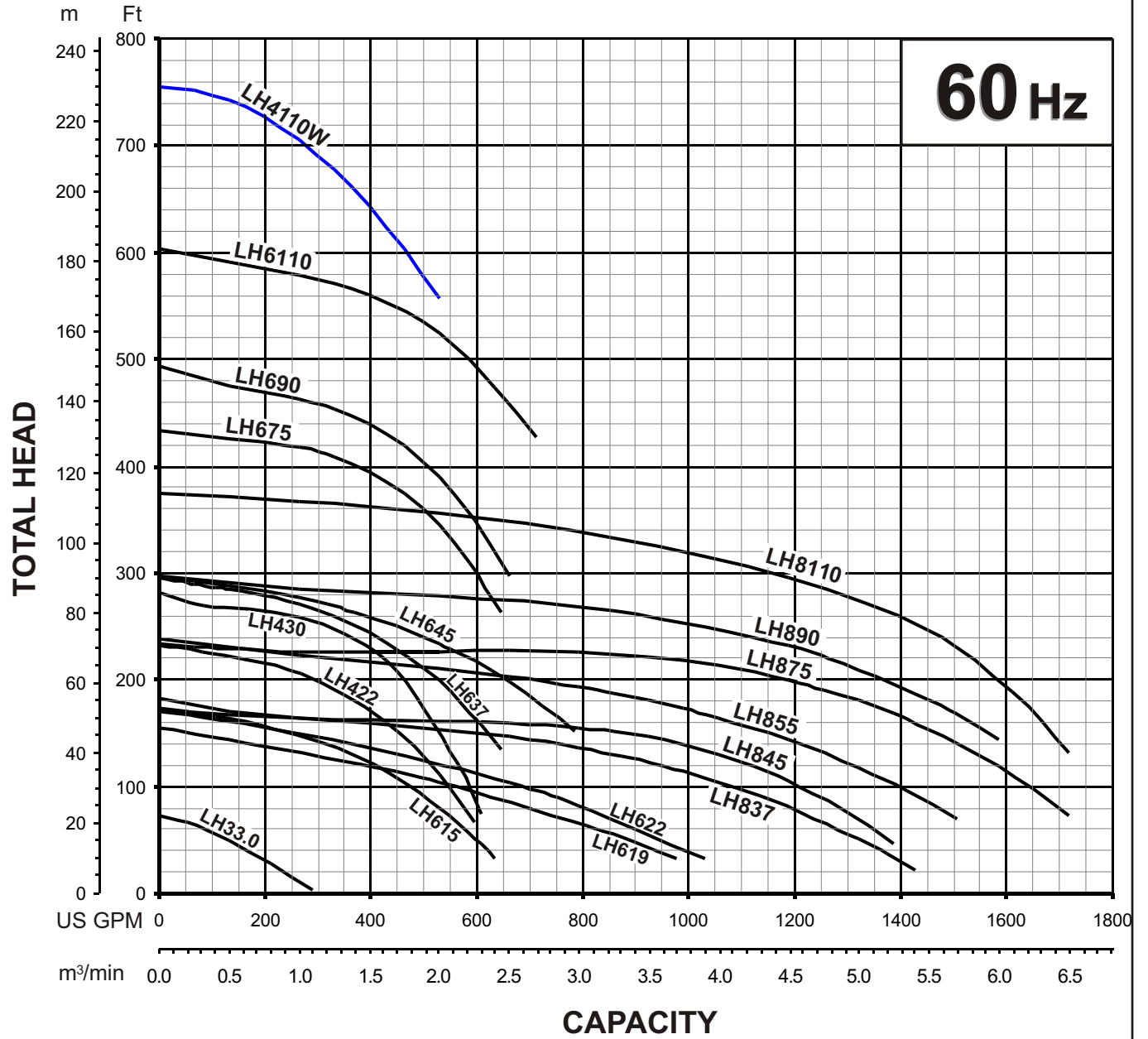
Length as Required.  
  
 TS-303 Float Switch



# LH - SERIES DEWATERING PUMP

## PERFORMANCE RANGE

### GROUP PERFORMANCE RANGE

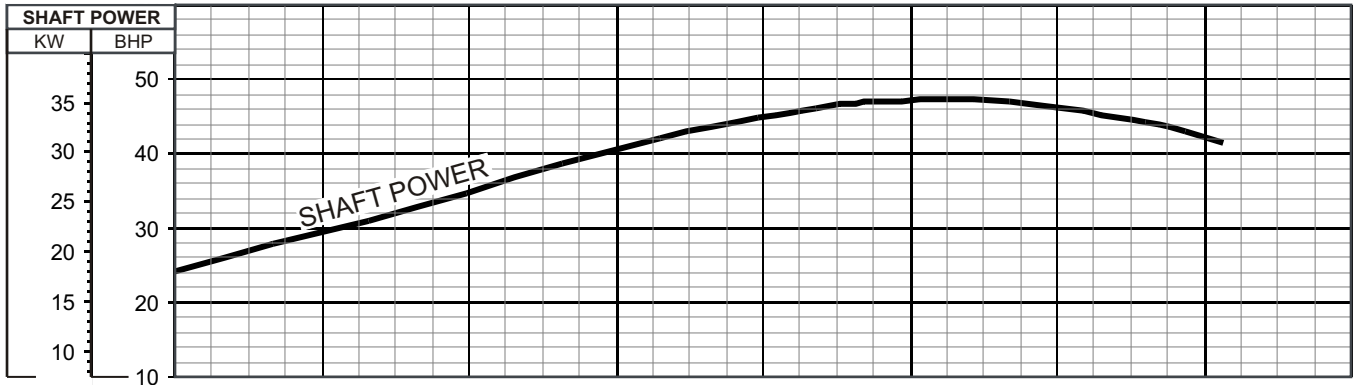
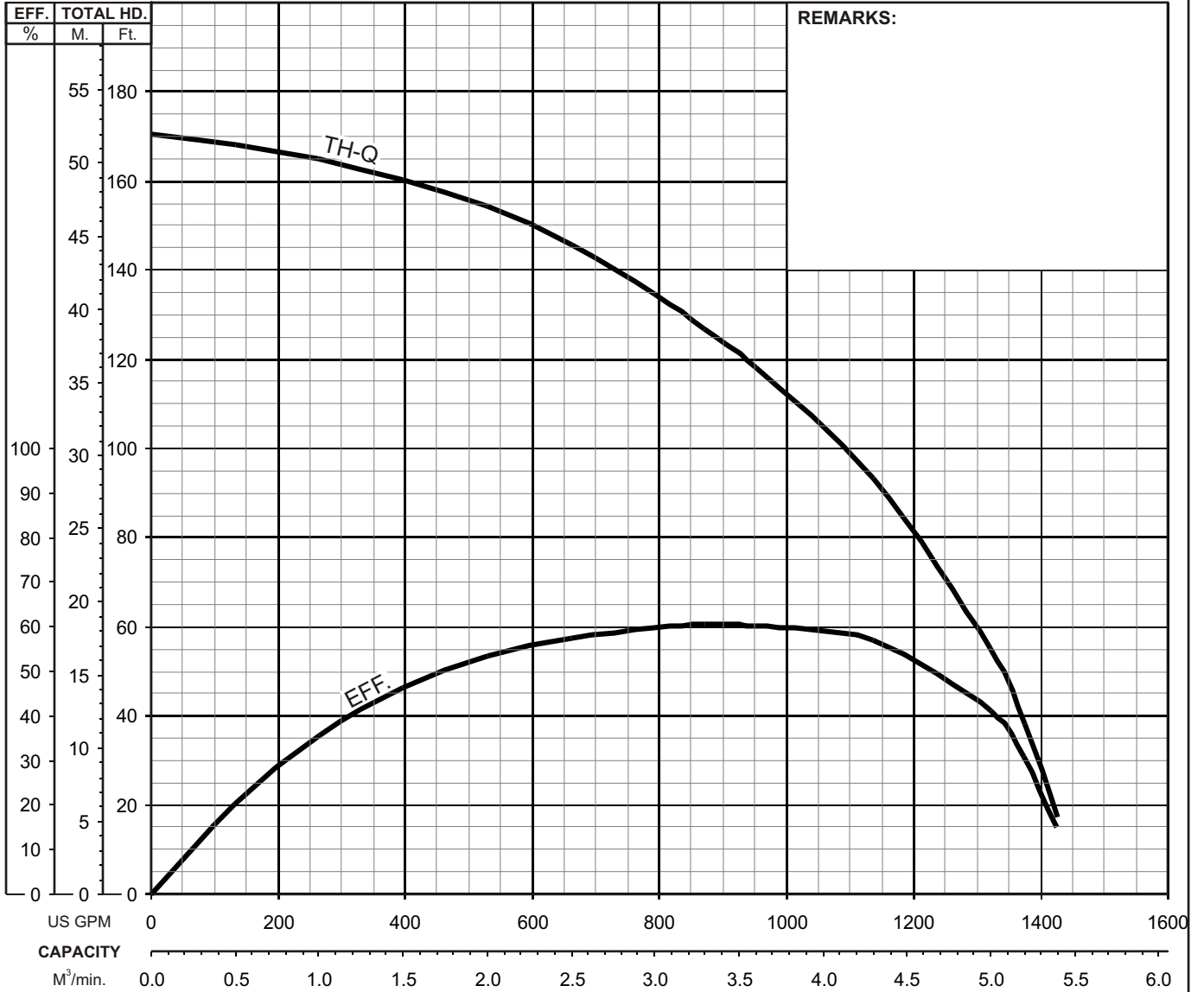




# LH - SERIES DEWATERING PUMPS

# PERFORMANCE CURVE

MODEL	BORE	HP	KW	RPM	SOLIDS DIA	LIQUID	SG.	VISCOSITY	TEMP.
LH837-60	8"/200mm	50	37	3525	0.787"/20mm	Water	1.0	1.123 cSt	60°F
PUMP TYPE	PHASE	VOLTAGE	AMPERAGE	HZ	STARTING METHOD	INS. CLASS			
Dewatering Pump	3	460/575	58.0 / 46.0	60	Star-Delta	F			
CURVE No.	DATE	PHASE	VOLTAGE	AMPERAGE	HZ	STARTING METHOD	INS. CLASS		
-	-	-	-	-	-	-	-		

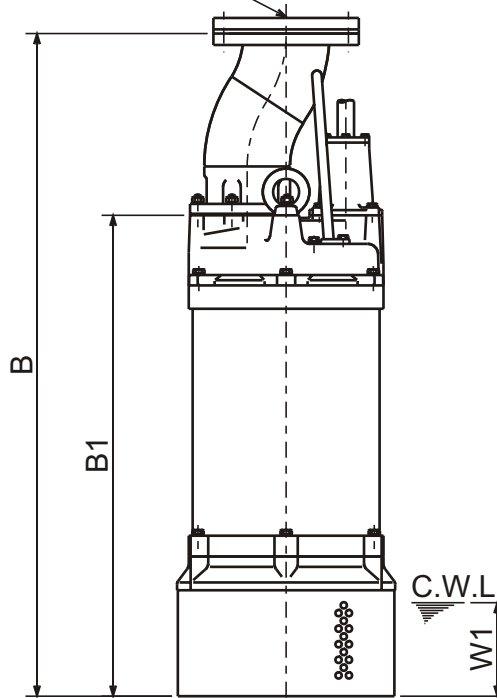
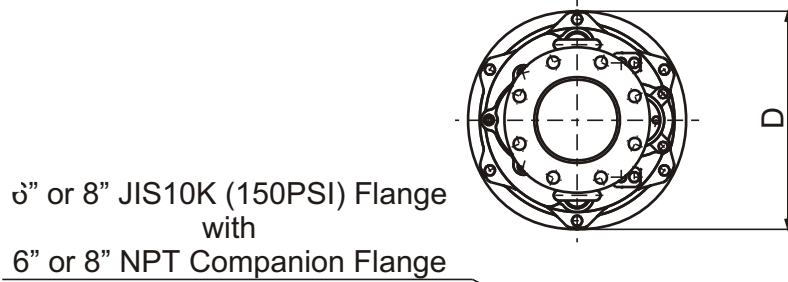




**LH - SERIES  
DEWATERING PUMPS**

**DIMENSIONS**

LH637-60  
LH837-60  
LH645-60  
LH845-60



C.W.L. : Continuous running Water Level

**DIMENSIONS:USCS (Inch)**

Model	HP	NOM. SIZE	Pump & Motor			C.W.L.	Wt. (lbs.)
			B	B1	D	W1	
LH637-60	50	6"	57	40 7/16	20 7/8	7 1/8	1090
LH837-60	50	8"	58 9/16	40 7/16	20 7/8	7 1/8	1090
LH645-60	60	6"	57	40 7/16	20 7/8	7 1/8	1120
LH845-60	60	8"	58 9/16	40 7/16	20 7/8	7 1/8	1120

**DIMENSIONS:METRIC (mm)**

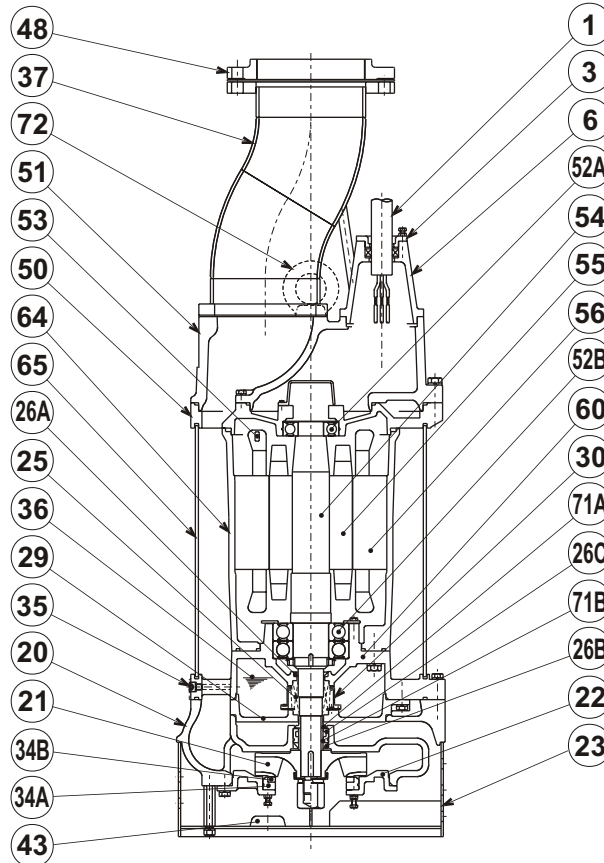
Model	kW	NOM. SIZE	Pump & Motor			C.W.L.	Wt. (kg)
			B	B1	D	W1	
LH637-60	37	150	1448	1027	530	180	495
LH837-60	37	200	1488	1027	530	180	495
LH645-60	45	150	1448	1027	530	180	510
LH845-60	45	200	1488	1027	530	180	510



# LH - SERIES DEWATERING PUMPS

## SECTIONAL VIEW

LH637-60  
LH837-60  
LH645-60  
LH845-60



ITEM#	DESCRIPTION	MAIN MATERIAL / NOTE	ASTM, AISI CODE	RELATED EN CODE	Q'TY
1	Power Cable (LH637/837) Power Cable (LH645/845)	Chloroprene Sheath AWG 2/6 , 4/1 , 14/2 -50ft Chloroprene Sheath AWG 4/6 , 6/1 , 14/2 -50ft			1
3	Gland	Cast Iron	A48M Class30B	EN 1561 GJL-200	1
6	Stuffing Box	Cast Iron	A48M Class30B	EN 1561 GJL-200	1
20	Pump Casing	Cast Iron	A48M Class30B	EN 1561 GJL-200	1
21	Impeller	High Chrome Cast Iron	A532 Class TypeA	DIN 1695 G-X260Cr27	1
22	Suction Cover	Cast Iron	A48M Class30B	EN 1561 GJL-200	1
23	Suction Strainer	Steel	A283 Grade D	EN 10025 S275	1
25	Mechanical Seal	Silicon Carbide / HT-4550N			1
26A	Oil Seal	NBR / SC50689			1
26B	Oil Seal	NBR / TCN487012			1
26C	Labyrinth Ring	Stainless Steel	S 30400	1.4301	1
29	Oil Casing	Cast Iron	A48M Class30B	EN 1561 GJL-200	1
30	Oil Lifter	PBT Resin W/GF40			1
34A	Suction Mouth	Cast Iron	A48M Class30B	EN 1561 GJL-200	1
34B	Mouth Ring	High Chrome Cast Iron	A532 Class TypeA	DIN 1695 G-X260Cr27	1
35	Oil Plug	Stainless Steel	S 30400	1.4301	2
36	Lubricant	Turbine Oil ISO VG32 or SAE 10W-20			
37	Discharge Pipe	Steel Pipe (& Steel) / 6" or 8" JIS10K	A53 Type F (& A283 Grade D)	DIN 1615 St 33 (& EN 10025 S275)	1
43	Cathodic Protection Plate	Aluminium Alloy			3
48	Companion Flange	Cast Iron / NPT 6" or 8" JIS10K	A48M Class30B	EN 1561 GJL-200	1
50	Motor Bracket	Cast Iron	A48M Class30B	EN 1561 GJL-200	1
51	Head Cover	Cast Iron	A48M Class30B	EN 1561 GJL-200	1
52A	Upper Bearing	#6310ZZC3			1
52B	Lower Bearing	#6314ZZD2C3			1
53	Motor Protector				3
54	Shaft	Stainless Steel	S 42000	1.4028	1
55	Rotor				1
56	Stator				1
60	Bearing Housing	Cast Iron	A48M Class30B	EN 1561 GJL-200	1
64	Motor Housing	Cast Iron	A48M Class30B	EN 1561 GJL-200	1
65	Outer Cover	Steel	A283 Grade D	EN 10025 S275	1
71A	Shaft Sleeve (Upper)	Stainless Steel	S 40300	1.4000	1
71B	Shaft Sleeve (Lower)	Stainless Steel	S 40300	1.4000	1
72	Lifting Lug Bolt	Steel	A283 Grade D	EN 10025 S275	2


**TSURUMI PUMP**
**LH - SERIES  
DEWATERING PUMPS**
**SAMPLE  
SPECIFICATIONS**
**1. SCOPE OF SUPPLY -**

Furnish and install TSURUMI Model \_\_\_\_\_ Submersible Pump(s).  
Each unit shall be capable of delivering \_\_\_\_\_ GPM (\_\_\_\_\_ m<sup>3</sup>/min) at \_\_\_\_\_ Feet (\_\_\_\_\_ m) TDH. The pump(s) shall be designed to pump waste water or effluent without damage during operation. The pump(s) shall be designed so that the shaft power required (BHP)/(kW) shall not exceed the motor rated output throughout the entire operating range of the pump performance curve. Pump(s) shall be of the top discharge, flow through design.

**2. MATERIALS OF CONSTRUCTION -**

Construction of major parts of the pumping unit(s) shall be gray cast iron, ASTMA48 CLASS 35. Impellers and field adjustable/replaceable wear plates shall be high chrome iron. Internal and external surfaces coming into contact with the pumpage shall be protected by a fused polymer coating. All exposed fasteners shall be stainless steel. All units up to 75 HP and LH875/890/8110 shall be furnished with 150 lb. (10 kg/cm<sup>2</sup>) flat face flange and NPT companion flange. LH675/690/6110 shall be furnished with 300 lb. (20 kg/cm<sup>2</sup>) flat face flange and NPT companion flange. Impellers shall be of the multi-vane enclosed solids handling design equipped with back pump out vanes and shall be slip fit to the shaft and key driven. The unit(s) shall include built in cathodic protection.

**3. MECHANICAL SEAL -**

All units shall be furnished with a dual inside mechanical shaft seal located completely out of the pumpage, running in a separate oil filled chamber and further protected by an exclusionary oil seal located between the bottom seal faces and the fluid being pumped. The oil chamber shall be fitted with a device that shall provide positive lubrication of the top mechanical seal, (down to one third of the standard oil level). The device shall not consume any additional electrical power. Mechanical seals shall be rated to preclude the incursion of water up to 42.6 PSI (98.4 Ft.) submergence. Units shall have silicon carbide mechanical seal faces. Mechanical seal hardware shall be stainless steel. Unit(s) shall incorporate seal pressure relief ports. Units 75 Hp and above shall be supplied with electrode type seal sensor. All unit(s) shall be fitted with a replaceable shaft sleeve.

**4. MOTOR-**

The pump motor(s) shall be \_\_\_\_\_ H P., \_\_\_\_\_ kW., \_\_\_\_\_ V., 60 Hz. 3 Phase and shall be NEMA MG-1, Design Type B equivalent. Motor(s) shall be rated at full load amps. Motor(s) shall have a 1.15 service factor and shall be rated for 20 starts per hour. Motor(s) shall be air filled, copper wound, class F or B (up to 30 HP) insulated with built in thermal protection for each winding. Motor shaft shall be 420 stainless steel and shall be supported by two high temperature bearings, with a B-10 life rating at best efficiency point of 60,000 hours. On units up to 60 HP, the bottom bearing shall be two row, double shielded, C3, deep groove type ball bearing, and the top bearing shall be single row, double shielded, C3, deep groove type ball bearing. On units 75 HP and above, the bottom bearing shall be re-greasable, two row, C3, angular contact type ball bearing, and the top bearing shall be re-greasable, single row, C3, cylindrical roller bearing. Motors shall be D.O.L. or star-delta start (40 HP and above), and shall be suitable for across the line start or variable speed applications, utilizing a properly sized variable frequency drive.

**5. POWER CABLE AND CABLE ENTRANCE -**

The pump power cable shall be suitable for submersible pump applications and shall be field replaceable utilizing standard submersible pump cable. The cable entrance shall incorporate built in strain relief and a combination three way mechanical compression sealing. The cable entrance assembly shall contain a anti-wicking block to eliminate water incursion into the motor due to capillary wicking should the power cable be accidentally damaged.